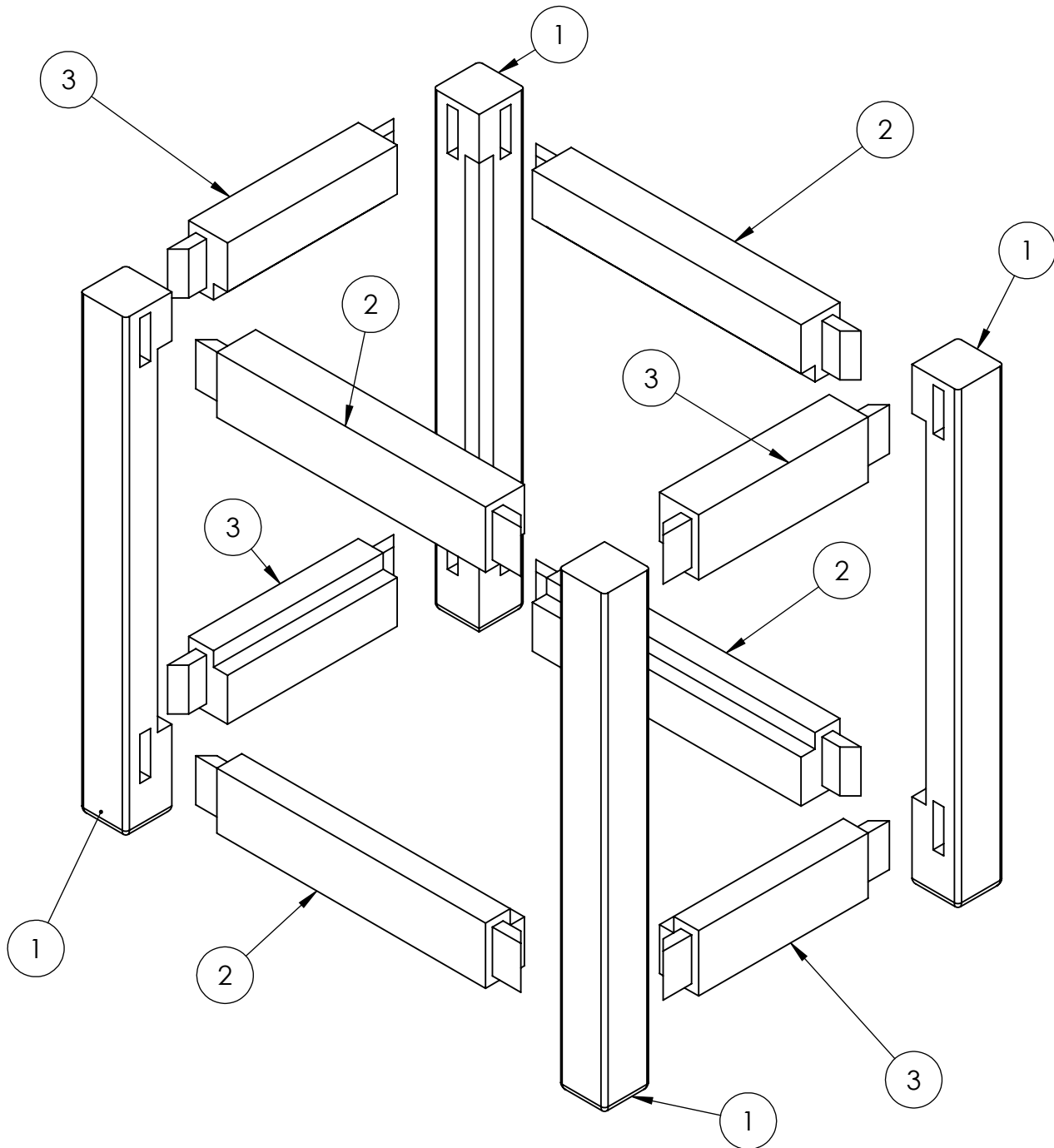


Licensed Under Creative Commons

The information in these drawings is provided free of charge under the Creative Commons 3.0 Non-Commercial license. This basically means you are free to use and modify these plans, with the restriction that they are not for commercial use. See <http://creativecommons.org/licenses/by-nc/3.0/>

COMMENTS:



ITEM NO.	PART NUMBER	DESCRIPTION	QTY.
1	stile		4
2	FrontBackRail		4
3	SideRail		4

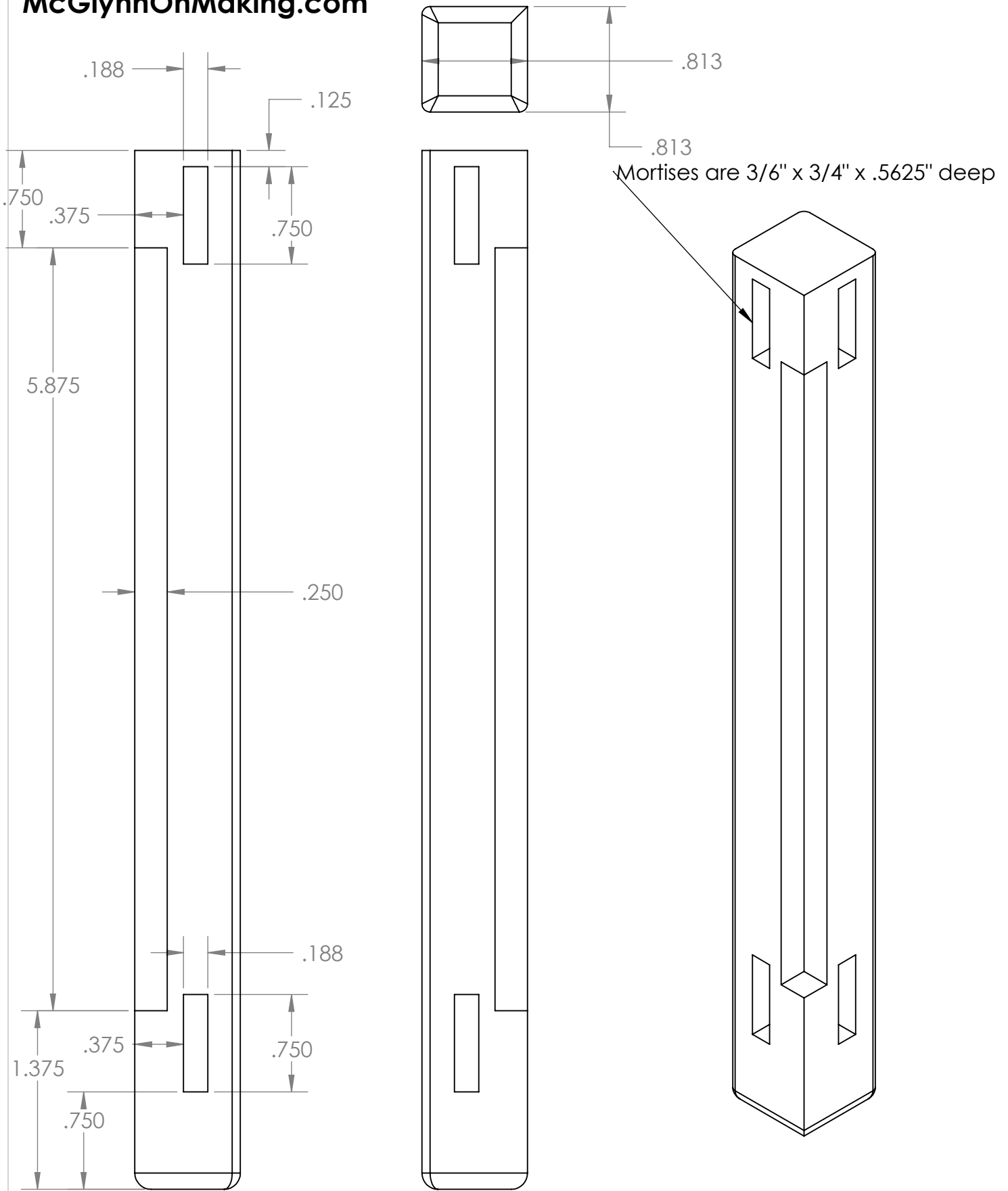
Licensed Under Creative Commons

The information in these drawings is provided free of charge under the Creative Commons 3.0 Non-Commercial license. This basically means you are free to use and modify these plans with the restriction that they are not for commercial use. See <http://creativecommons.org/licenses/by-nc/3.0/>

COMMENTS:

Lantern Body Exploded View

SIZE	DWG. NO.	REV.
A	Complete Lamp Final	
SCALE:1:2	WEIGHT:	SHEET 2 OF 13



Licensed Under Creative Commons

The information in these drawings is provided free of charge under the Creative Commons 3.0 Non-Commercial license. This basically means you are free to use and modify these plans with the restriction that they are not for commercial use. See <http://creativecommons.org/licenses/by-nc/3.0/>

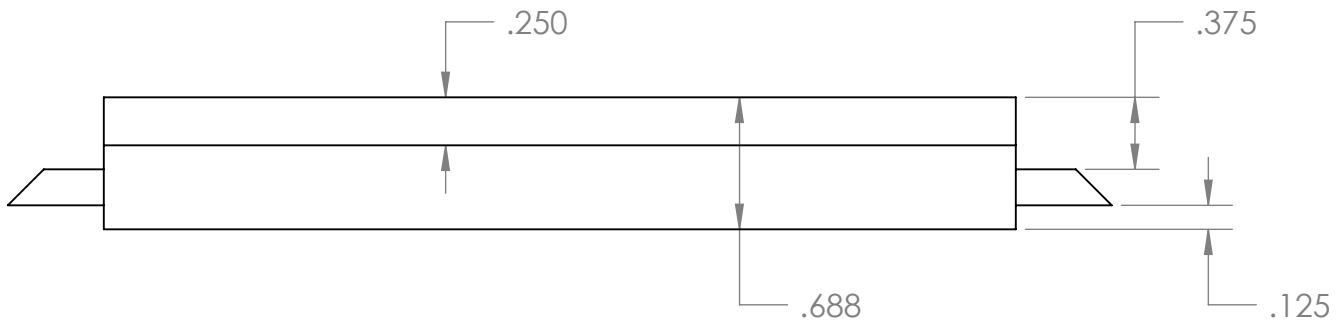
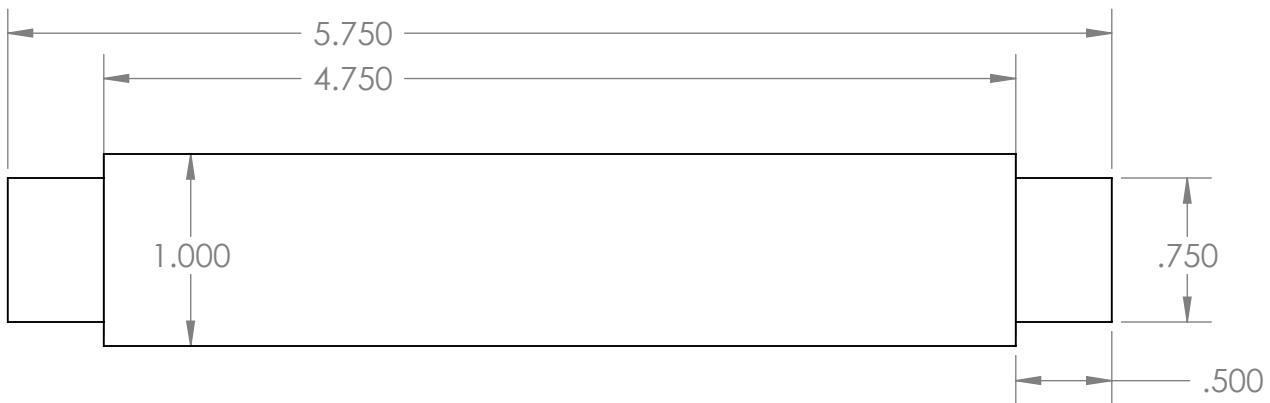
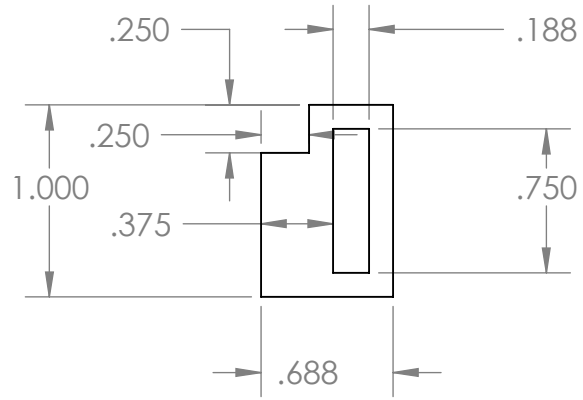
COMMENTS:

Scale 1:1, material Mahogany

Note: Recommend leaving stock long at top to prevent breaking out material when mortising. Radius on bottom of stile and three outside edges is done by hand.

Stile

SIZE	DWG. NO.	REV.
A	Complete Lamp Final	
SCALE:1:1	WEIGHT:	SHEET 3 OF 13



Licensed Under Creative Commons

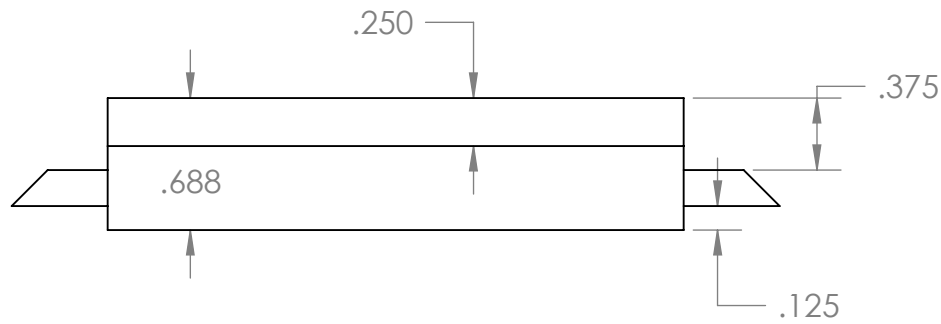
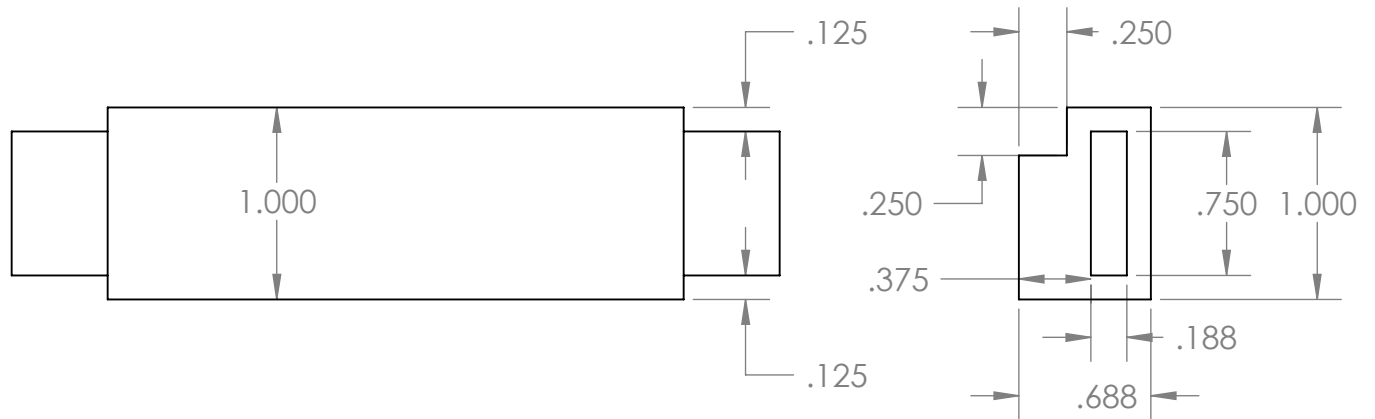
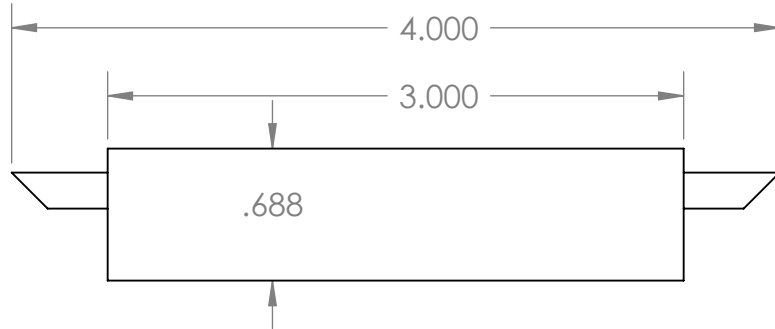
The information in these drawings is provided free of charge under the Creative Commons 3.0 Non-Commercial license. This basically means you are free to use and modify these plans, with the restriction that they are not for commercial use. See <http://creativecommons.org/licenses/by-nc/3.0/>

COMMENTS:

Scale 1:1

FrontBackRail

SIZE	DWG. NO.	REV.
A	Complete Lamp Final	
SCALE:1:1	WEIGHT:	SHEET 4 OF 13



Licensed Under Creative Commons

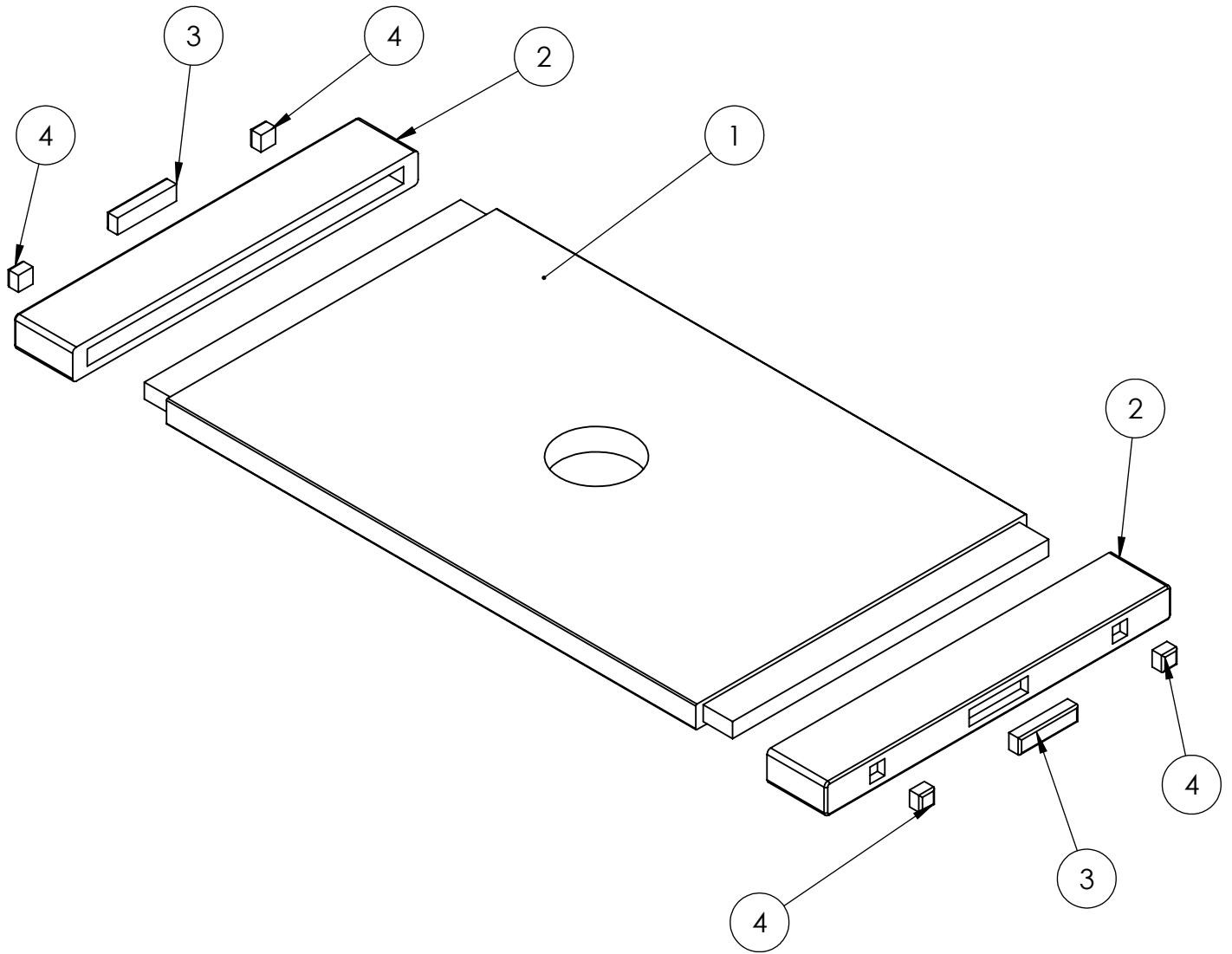
The information in these drawings is provided free of charge under the Creative Commons 3.0 Non-Commercial license. This basically means you are free to use and modify these plans, with the restriction that they are not for commercial use. See <http://creativecommons.org/licenses/by-nc/3.0/>

COMMENTS:

Scale 1:1

SideRail

SIZE	DWG. NO.	REV.
A	Complete Lamp Final	
SCALE:1:1	WEIGHT:	SHEET 5 OF 13



ITEM NO.	PART NUMBER	DESCRIPTION	QTY.
1	Top		1
2	BreadboardEnd		2
3	plug1		2
4	plug2		4

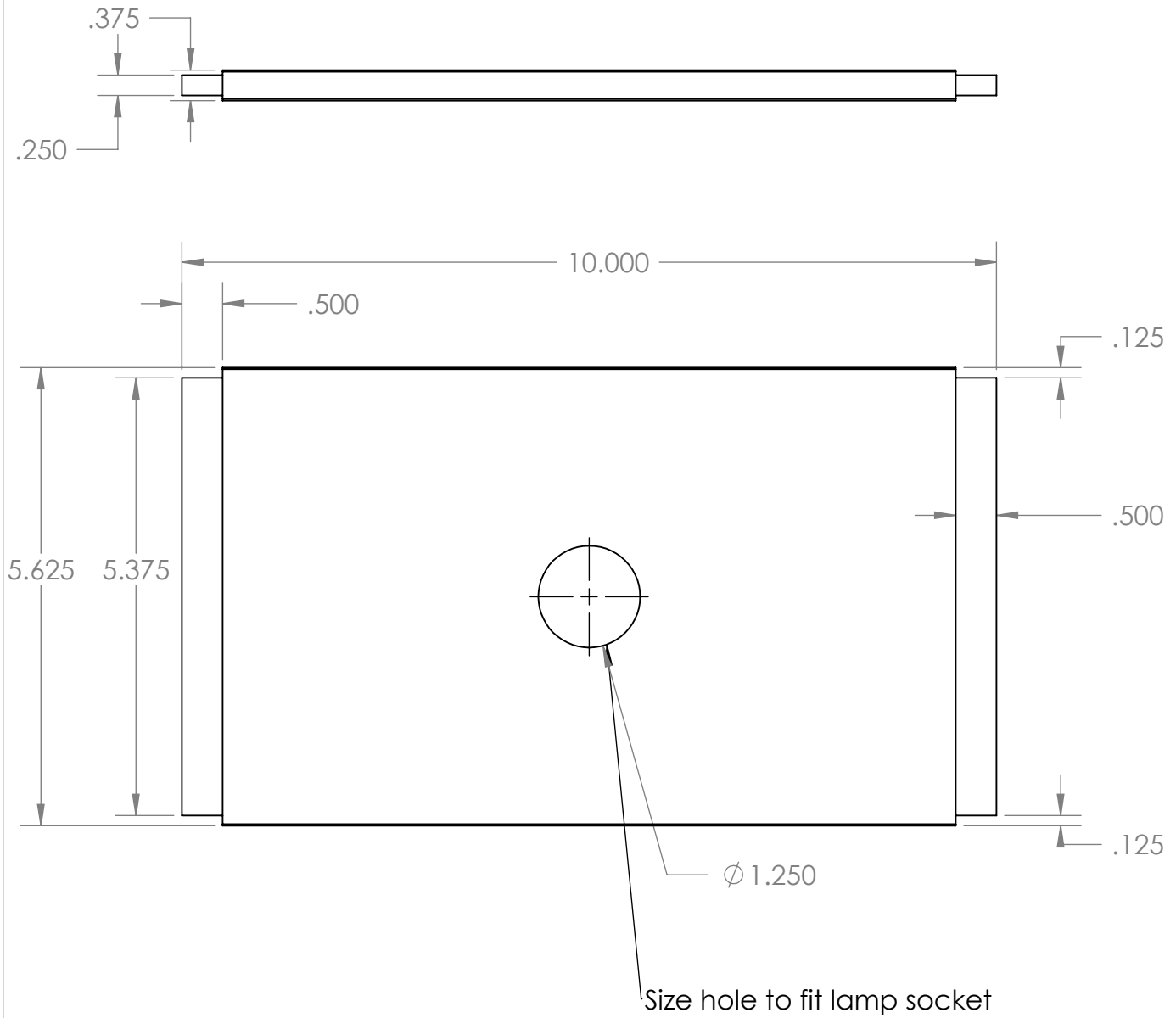
Licensed Under Creative Commons

The information in these drawings is provided free of charge under the Creative Commons 3.0 Non-Commercial license. This basically means you are free to use and modify these plans with the restriction that they are not for commercial use. See <http://creativecommons.org/licenses/by-nc/3.0/>

COMMENTS:

Lantern Top Exploded View

SIZE	DWG. NO.	REV.
A	Complete Lamp Final	
SCALE:1:2	WEIGHT:	SHEET 6 OF 13



Licensed Under Creative Commons

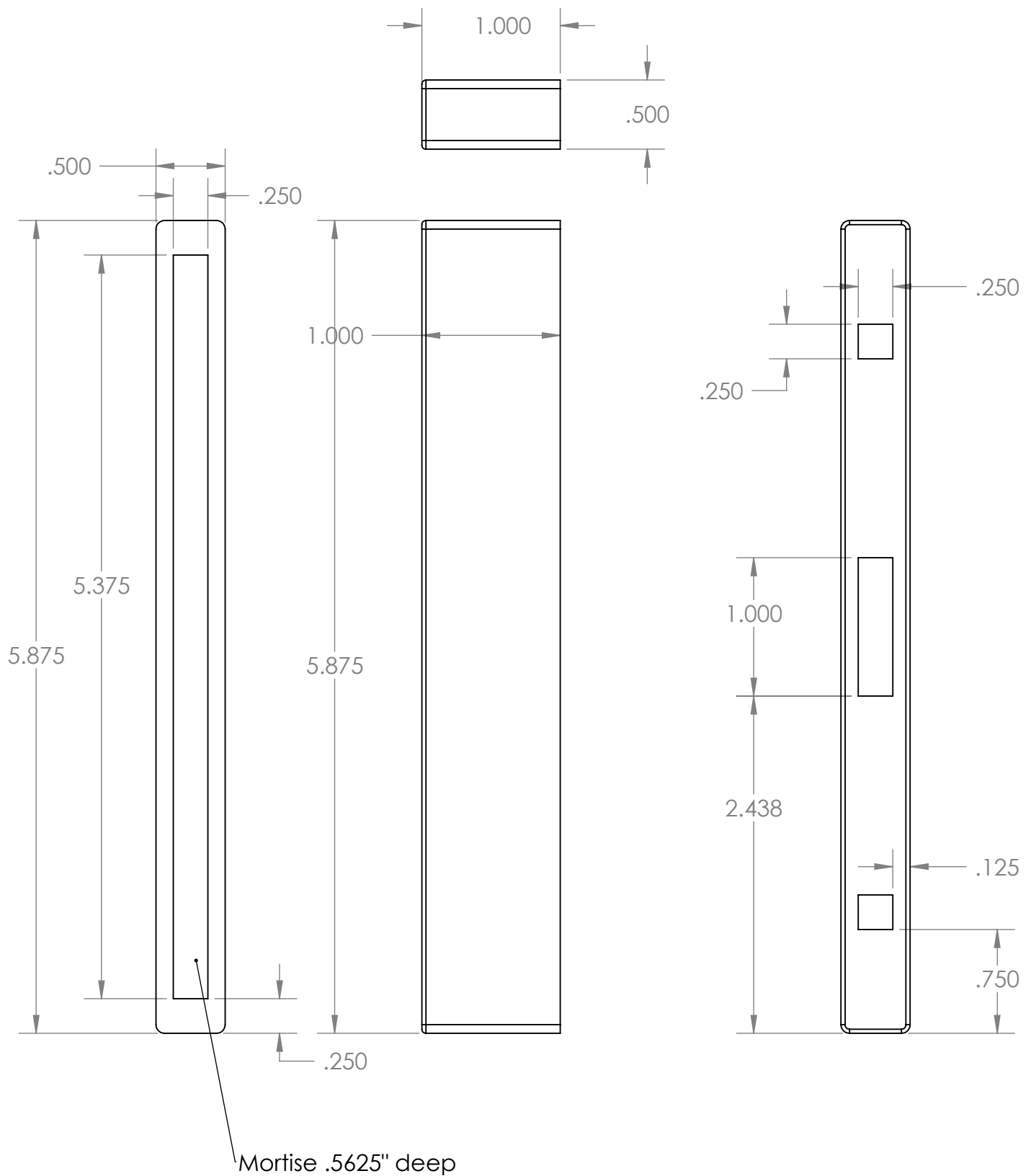
The information in these drawings is provided free of charge under the Creative Commons 3.0 Non-Commercial license. This basically means you are free to use and modify these plans, with the restriction that they are not for commercial use. See <http://creativecommons.org/licenses/by-nc/3.0/>

COMMENTS:

Scale 1:2

Top

SIZE	DWG. NO.	REV.
A	Complete Lamp Final	
SCALE:1:2	WEIGHT:	SHEET 7 OF 13



Licensed Under Creative Commons

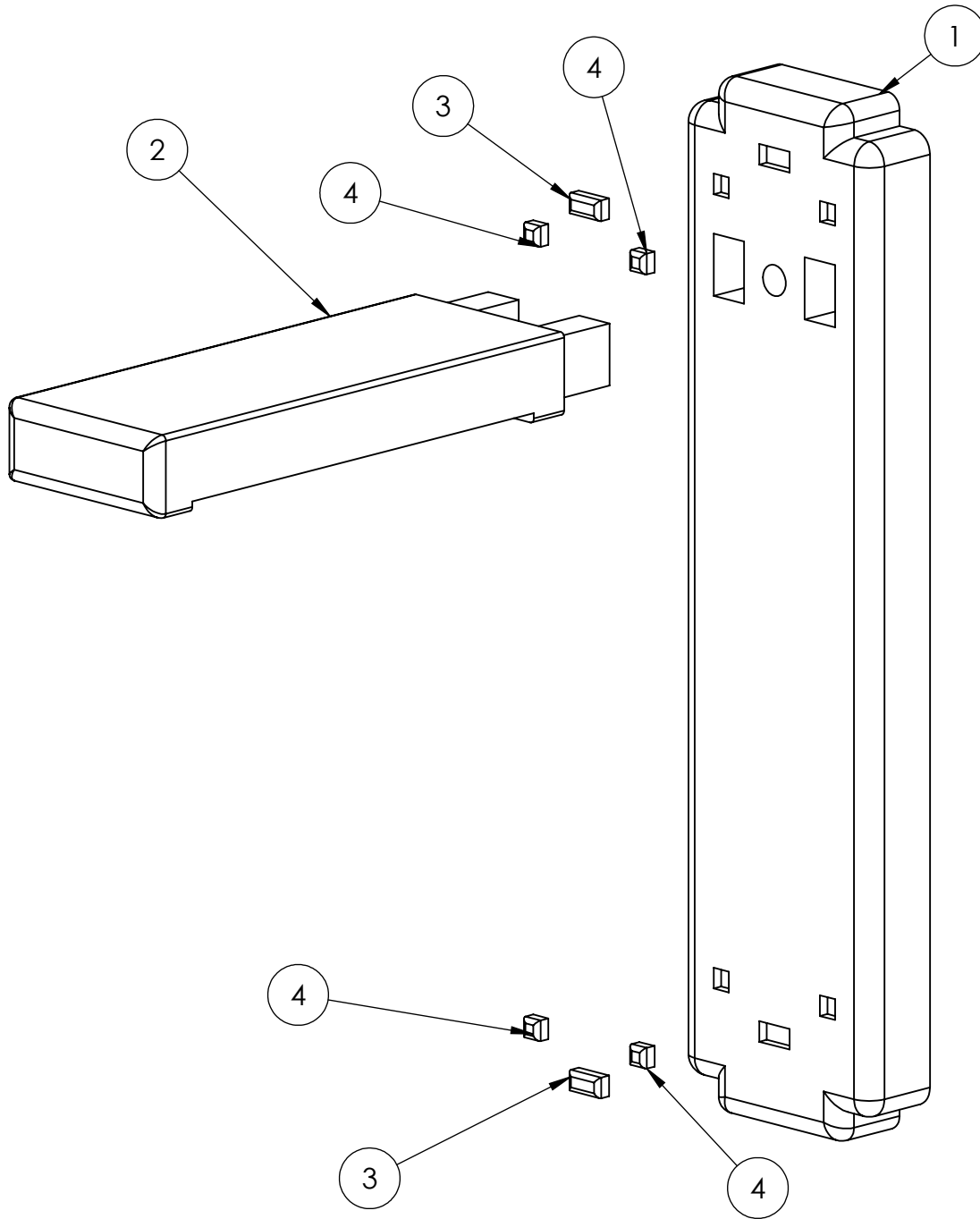
The information in these drawings is provided free of charge under the Creative Commons 3.0 Non-Commercial license. This basically means you are free to use and modify these plans, with the restriction that they are not for commercial use. See <http://creativecommons.org/licenses/by-nc/3.0/>

COMMENTS:

Scale 1:1

BreadBoardEnd

SIZE	DWG. NO.	REV.
A	Complete Lamp Final	
SCALE:1:1	WEIGHT:	SHEET 8 OF 13



ITEM NO.	PART NUMBER	DESCRIPTION	QTY.
1	Mount		1
2	SupportArm		1
3	plug3		2
4	plug4		4

Licensed Under Creative Commons

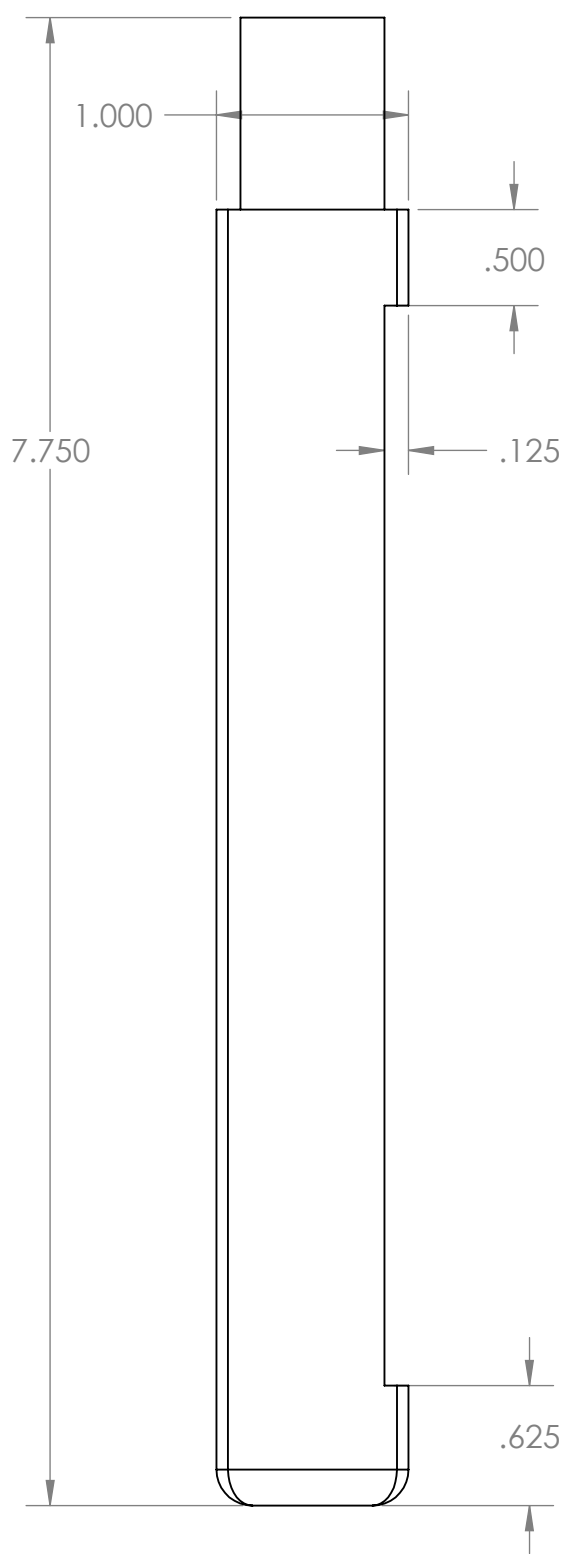
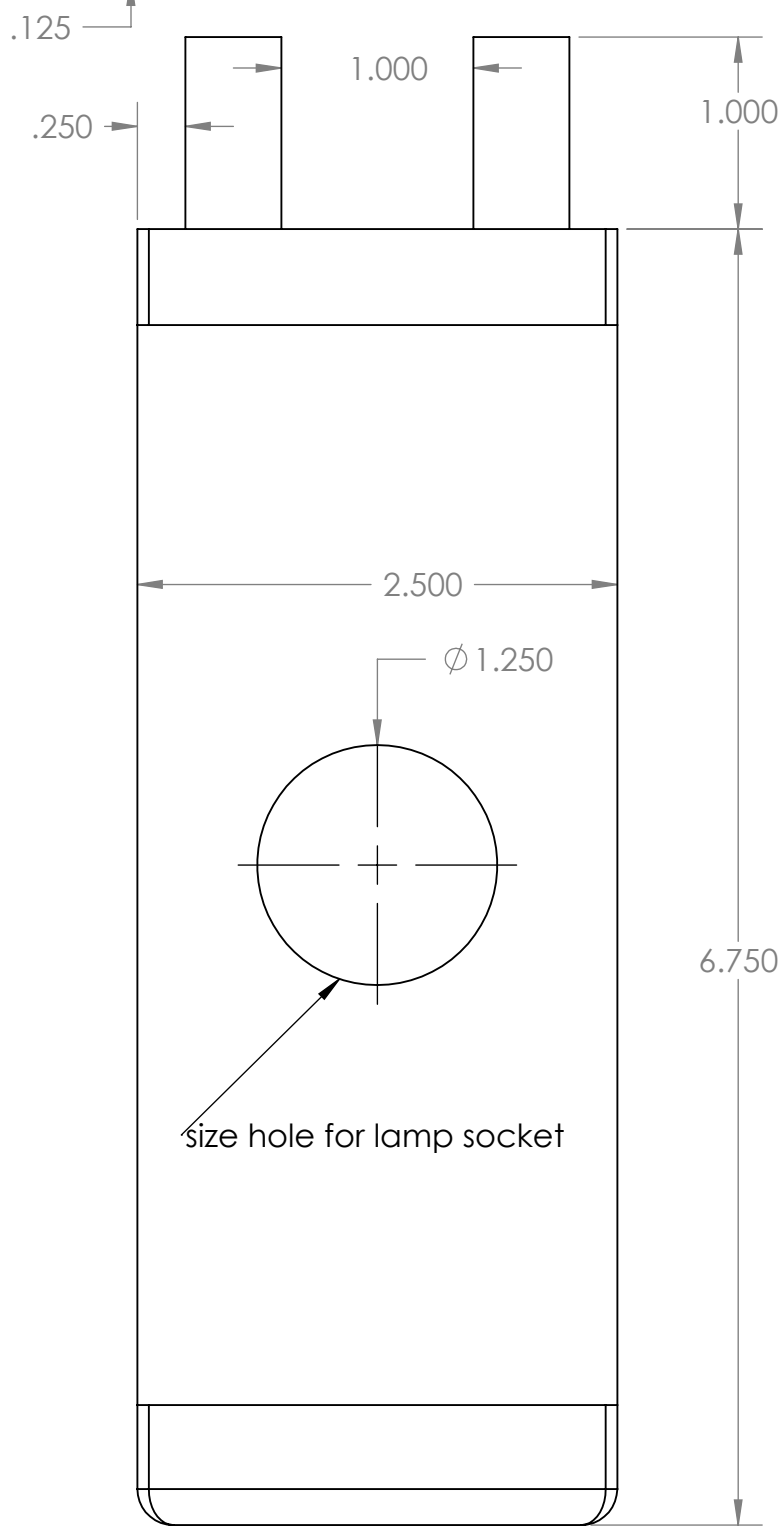
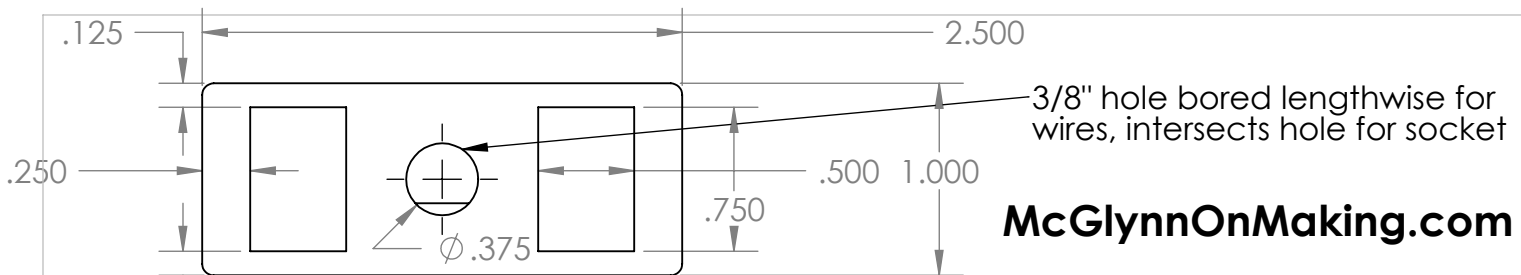
The information in these drawings is provided free of charge under the Creative Commons 3.0 Non-Commercial license. This basically means you are free to use and modify these plans with the restriction that they are not for commercial use. See <http://creativecommons.org/licenses/by-nc/3.0/>

COMMENTS:

Scale 1:2

Wall Mount Ass.

SIZE	DWG. NO.	REV.
A	Complete Lamp Final	
SCALE:1:2	WEIGHT:	SHEET 9 OF 13



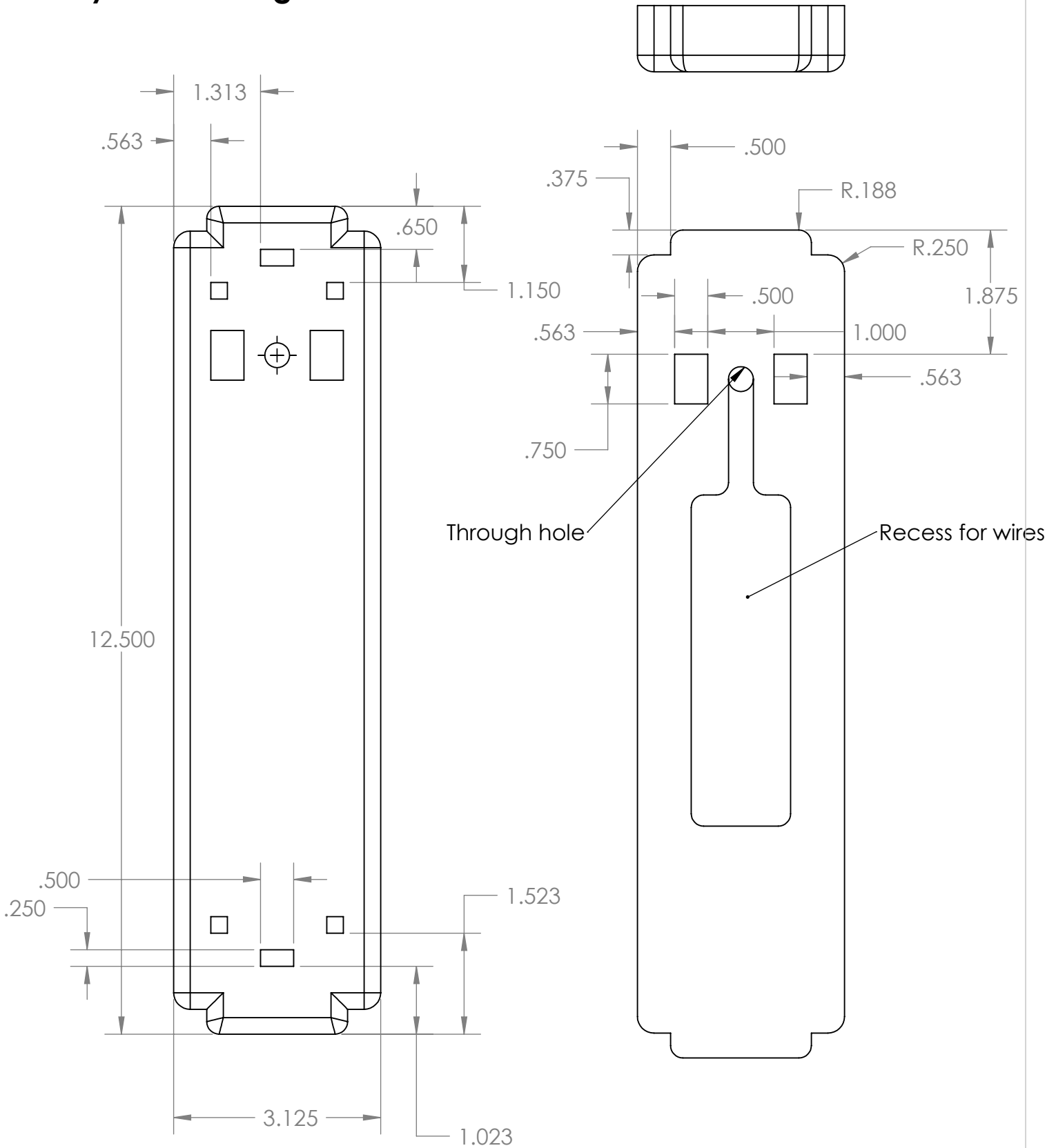
Licensed Under Creative Commons

The information in these drawings is provided free of charge under the Creative Commons 3.0 Non-Commercial license. This basically means you are free to use and modify these plans with the restriction that they are not for commercial use. See <http://creativecommons.org/licenses/by-nc/3.0/>

COMMENTS:

SupportArm

SIZE	DWG. NO.	REV.
A	Complete Lamp Final	
SCALE:1:1	WEIGHT:	SHEET 10 OF 13

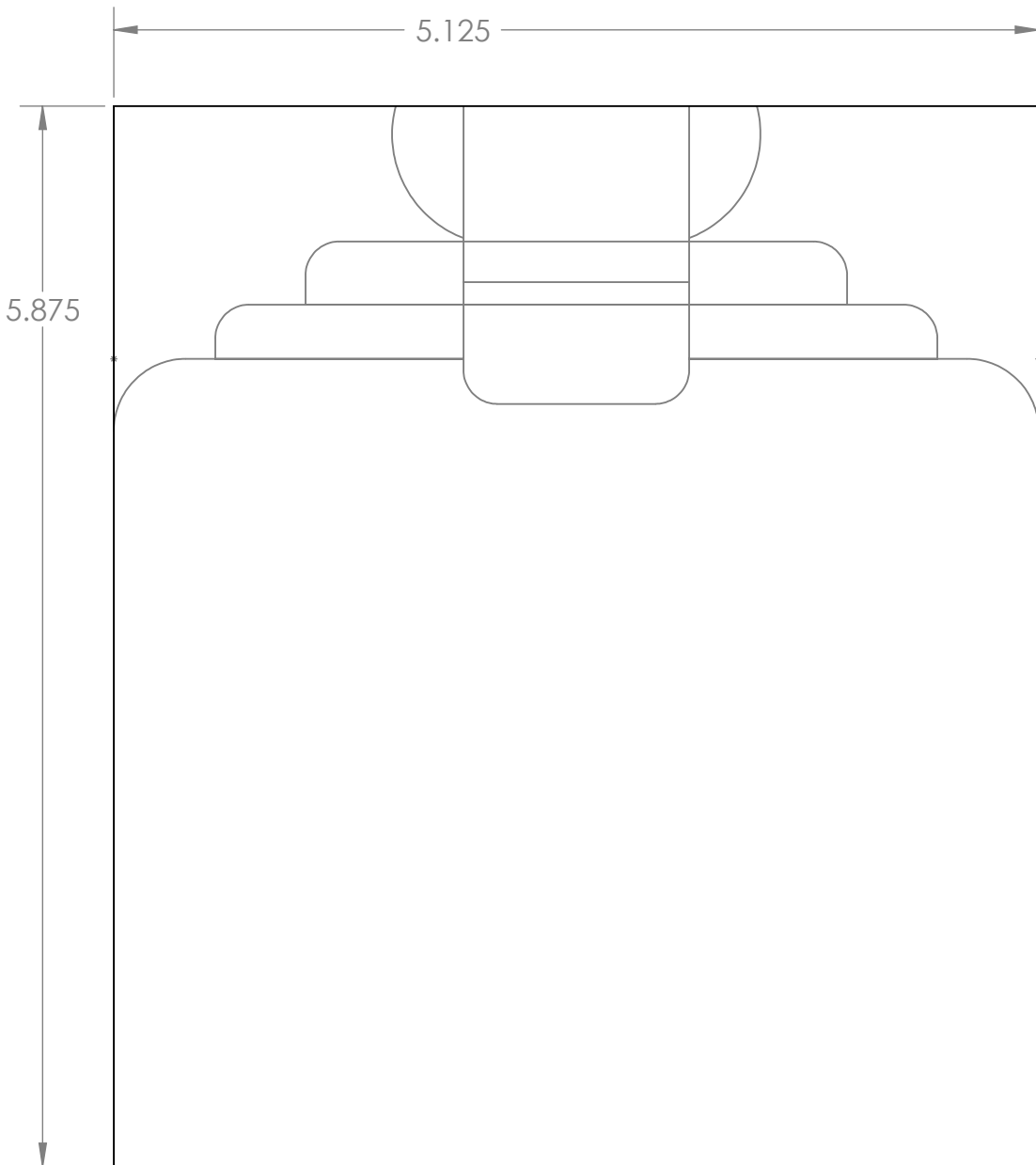


Licensed Under Creative Commons

The information in these drawings is provided free of charge under the Creative Commons 3.0 Non-Commercial license. This basically means you are free to use and modify these plans with the restriction that they are not for commercial use. See <http://creativecommons.org/licenses/by-nc/3.0/>

COMMENTS:

SIZE	DWG. NO.	REV.
A	Complete Lamp Finial	
SCALE:1:2	WEIGHT:	SHEET 11 OF 13



Note: Glass edges will be concealed 1/4" top and bottom, and /8" on the left and right sides. Adjust copper foil overlay so that a consistent amount of solder border is exposed all around

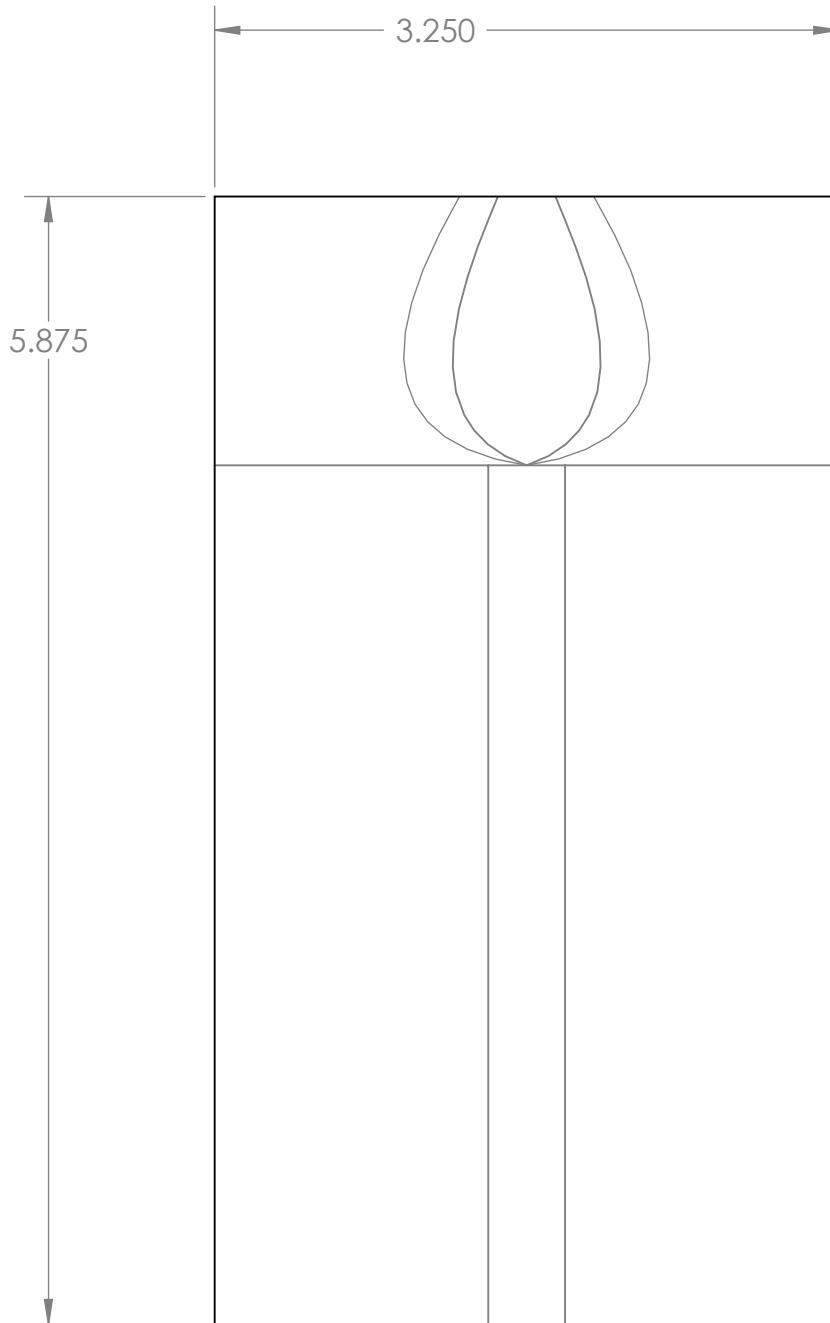
Licensed Under Creative Commons

The information in these drawings is provided free of charge under the Creative Commons 3.0 Non-Commercial license. This basically means you are free to use and modify these plans, with the restriction that they are not for commercial use. See <http://creativecommons.org/licenses/by-nc/3.0/>

COMMENTS:

Glass, Front, Full Scale

SIZE	DWG. NO.	REV.
A	Complete Lamp Final	
SCALE:1:1	WEIGHT:	SHEET 12 OF 13



Note: Glass edges will be concealed 1/4" top and bottom, and /8" on the left and right sides. Adjust copper foil overlay so that a consistent amount of solder border is exposed all around

Licensed Under Creative Commons

The information in these drawings is provided free of charge under the Creative Commons 3.0 Non-Commercial license. This basically means you are free to use and modify these plans, with the restriction that they are not for commercial use. See <http://creativecommons.org/licenses/by-nc/3.0/>

COMMENTS:

Glass for Sides, full scale

SIZE	DWG. NO.	REV.
A	Complete Lamp Final	
SCALE:1:1	WEIGHT:	SHEET 13 OF 13