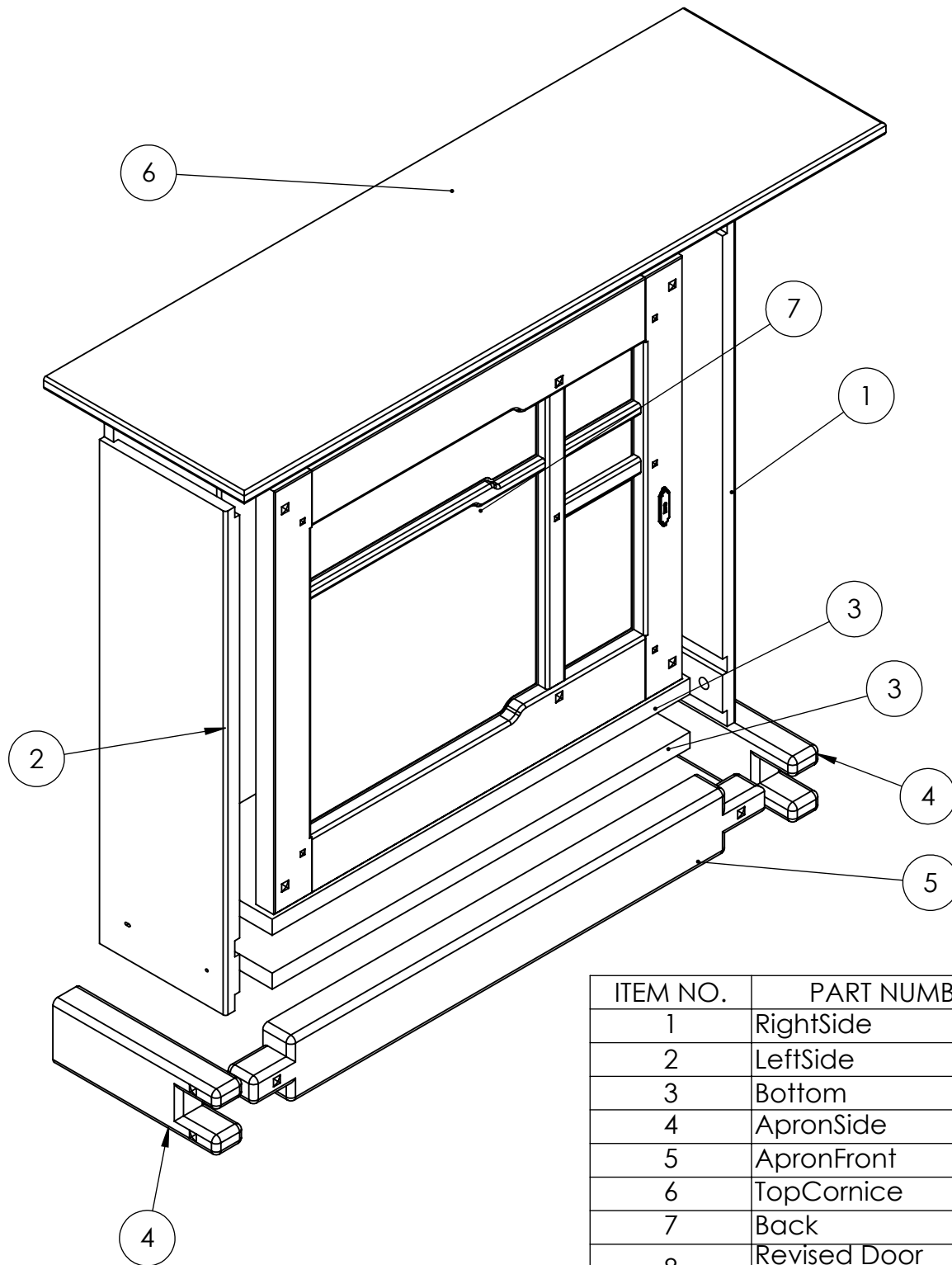


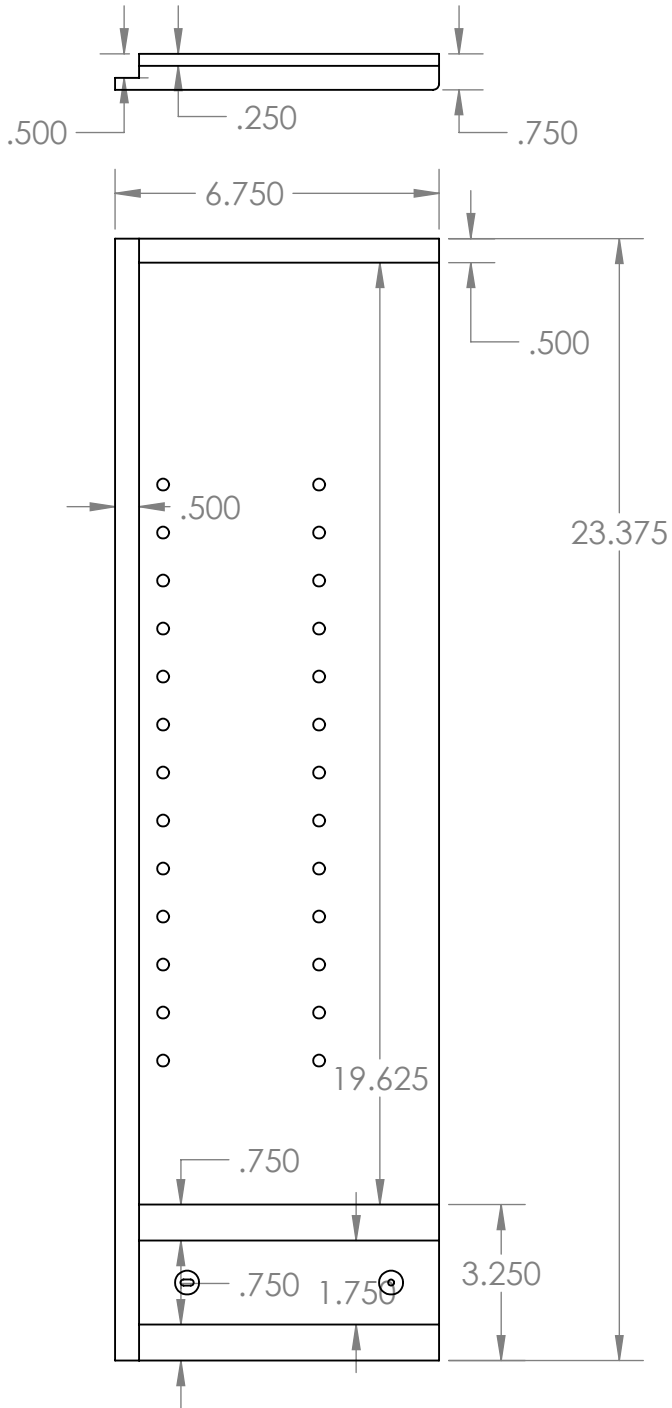
# Thorsen House Cabinet

Design by Dale Barnard, inspired by an original Greene & Greene cabinet in the Thorsen House in Berkley, CA. CAD model and modifications by Joe McGlynn.

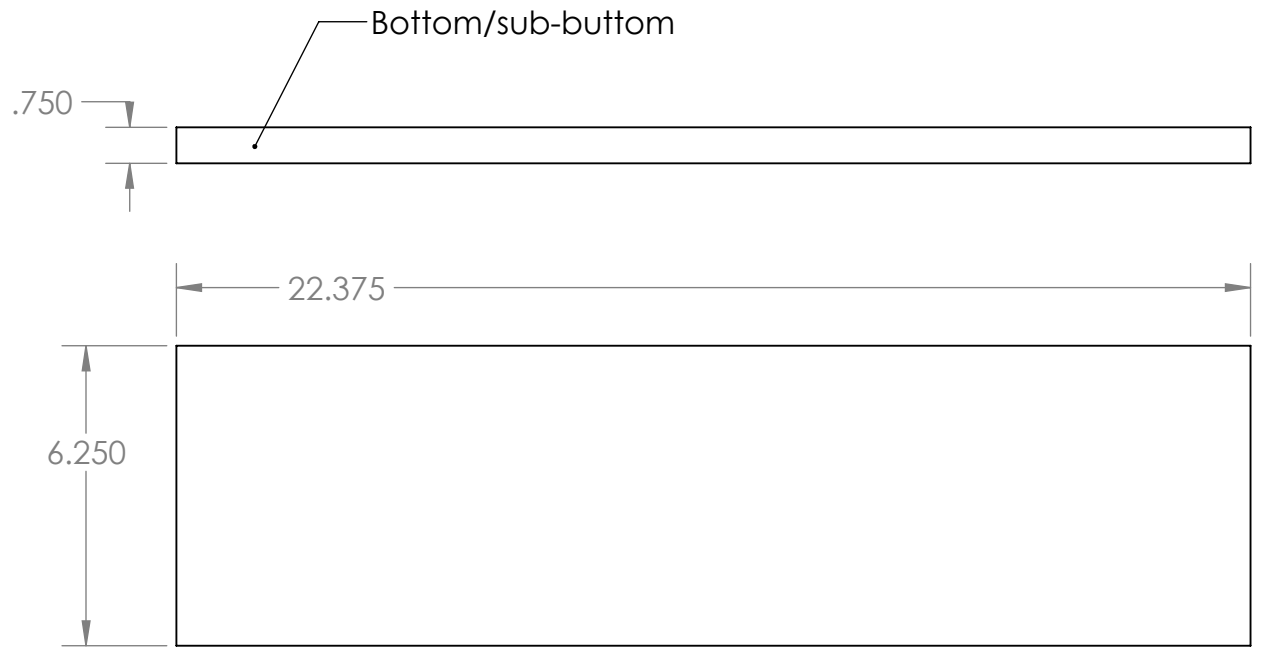


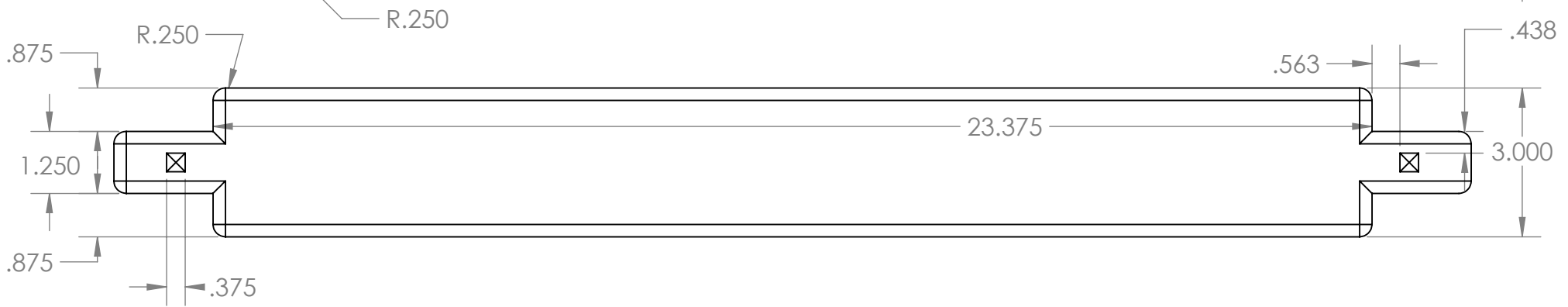
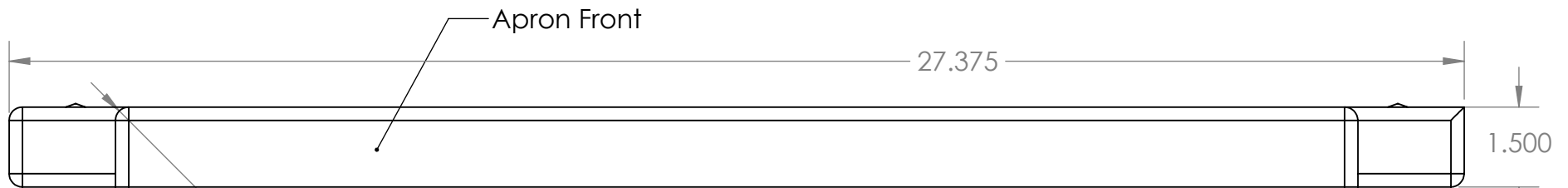
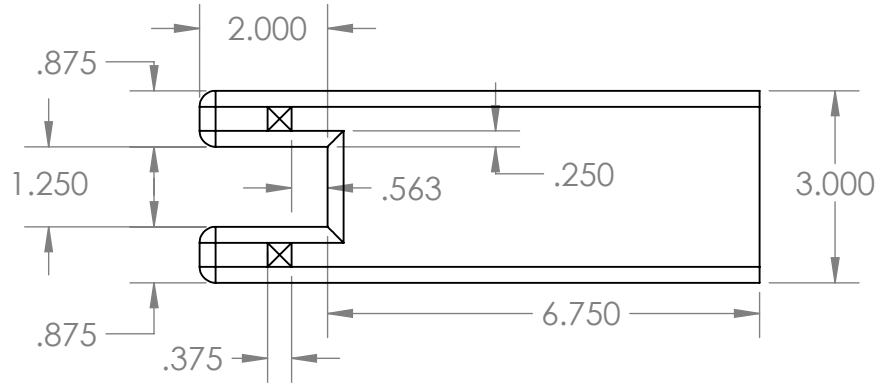
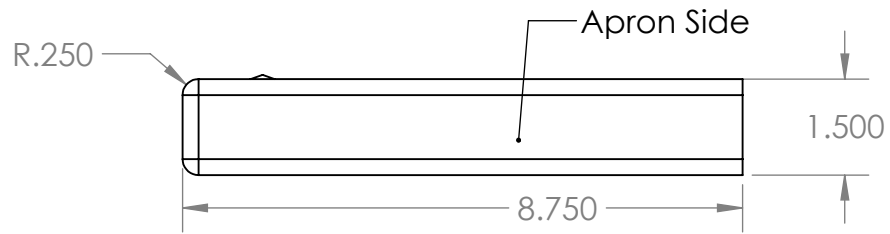
ITEM NO.	PART NUMBER	DESCRIPTION	QTY.
1	RightSide	3/4" x 6 3/4" x 23 3/8"	1
2	LeftSide	3/4" x 6 3/4" x 23 3/8"	1
3	Bottom	3/4" x 6 1/4" x 22 3/8"	2
4	ApronSide	1 1/2" x 3" x 8 3/4"	2
5	ApronFront	1 1/2" x 3" x 27 3/8"	1
6	TopCornice	7/8" x 10 3/4" x 33 3/8"	1
7	Back	Four shiplapped slats 1/2" thick	1
8	Revised Door Assemble		1
9	escutcheon		1

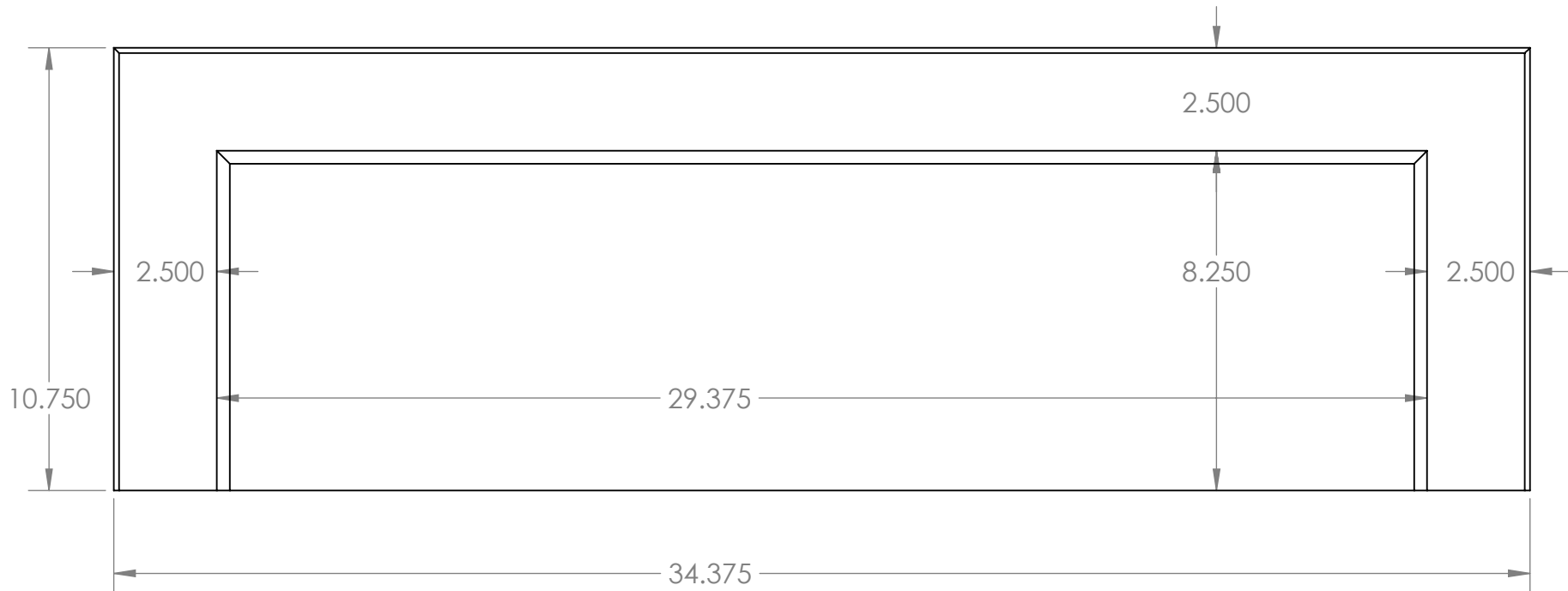
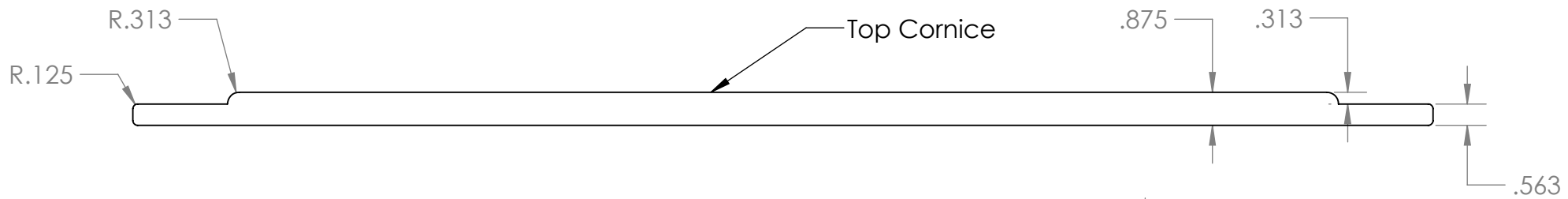
Right Side (left is mirror image)

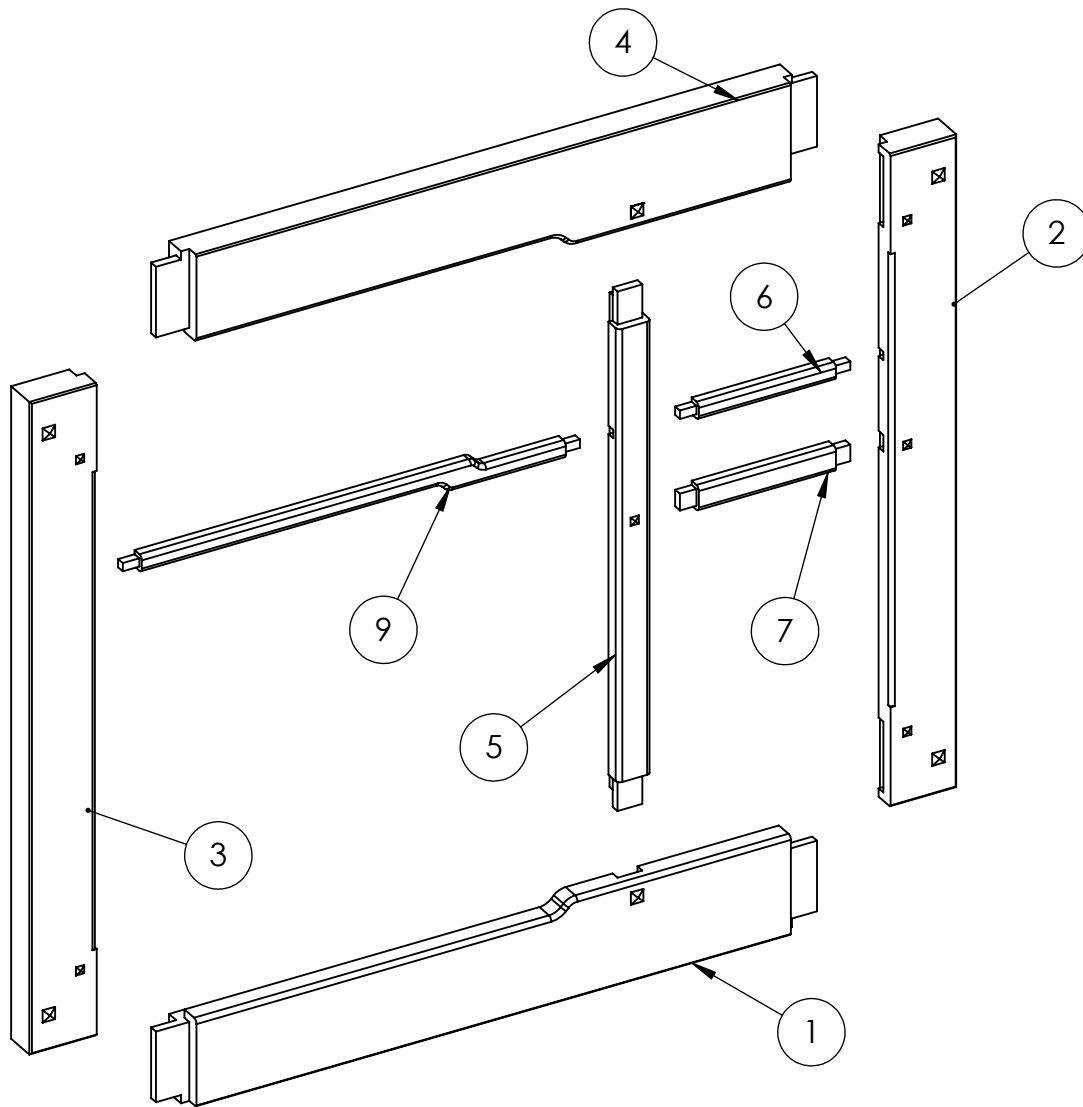


Casde top is identical to bottom /  
sub bottom except that it is .5" thick  
instead of .75"



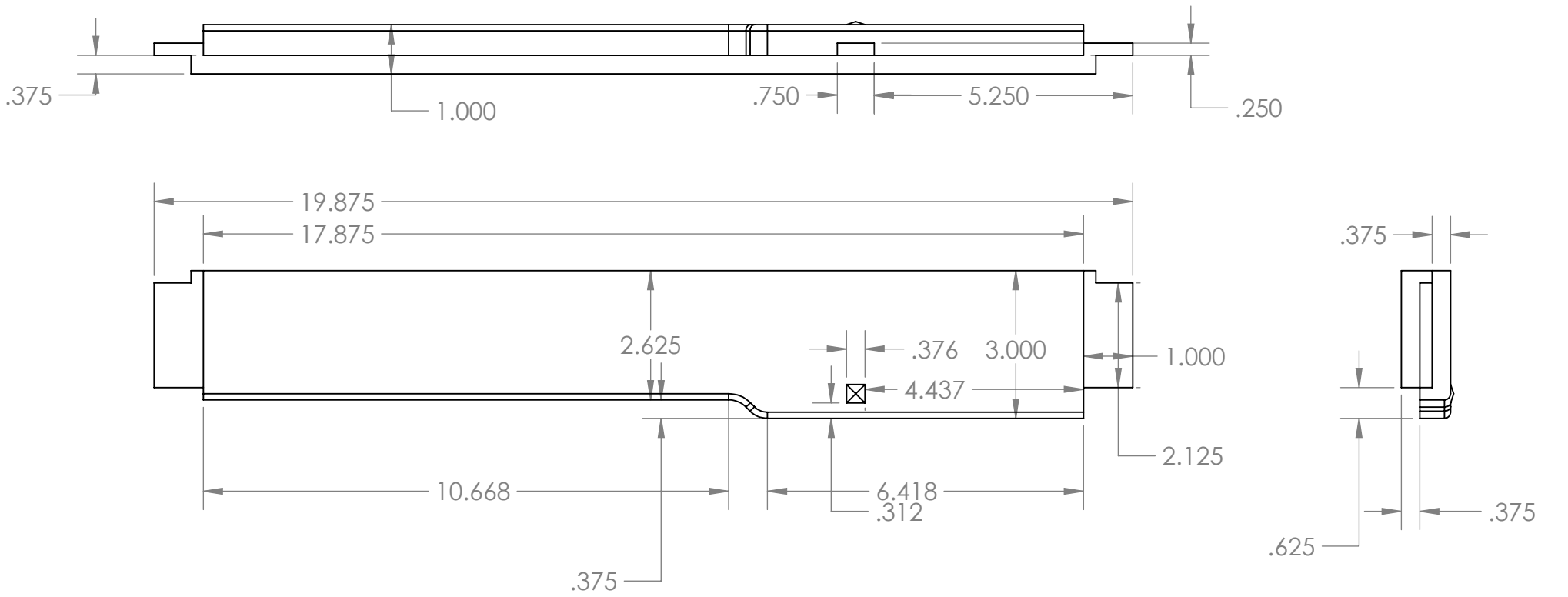




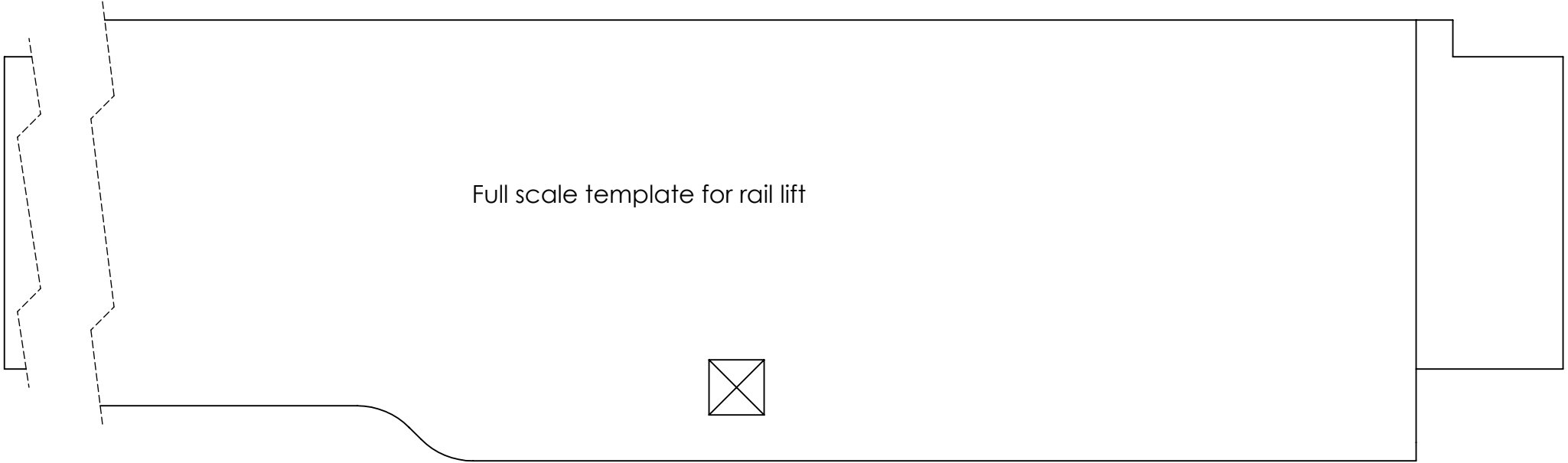


ITEM NO.	PART NUMBER	DESCRIPTION	QTY.
1	DoorBottomRail		1
2	DoorRightStile		1
3	DoorLeftStile		1
4	DoorTopRail		1
5	Munton		1
6	MullionRightTop		1
7	MullionRightBottom		1
8	NewGlass		1
9	MullionLeft		1

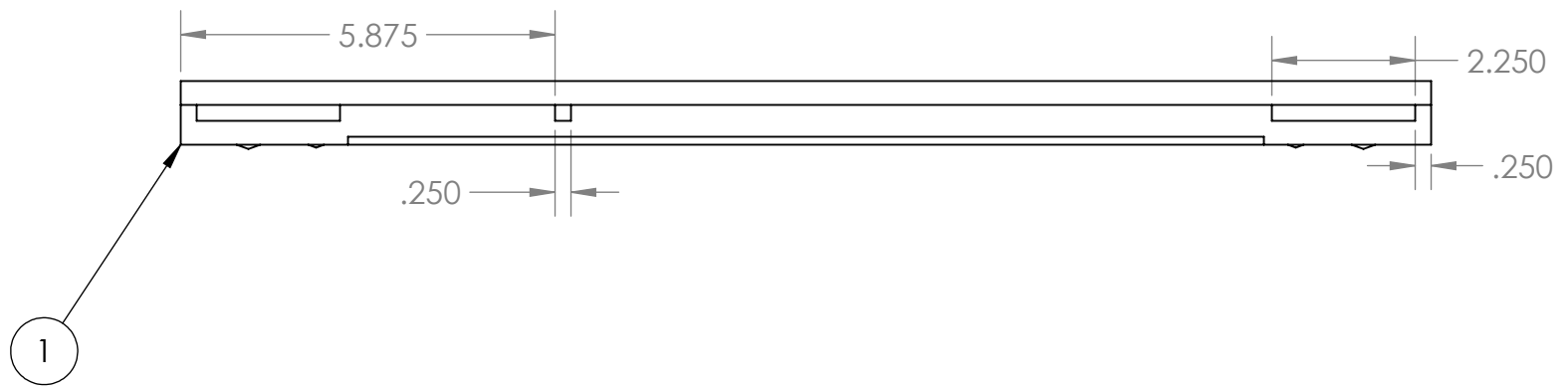
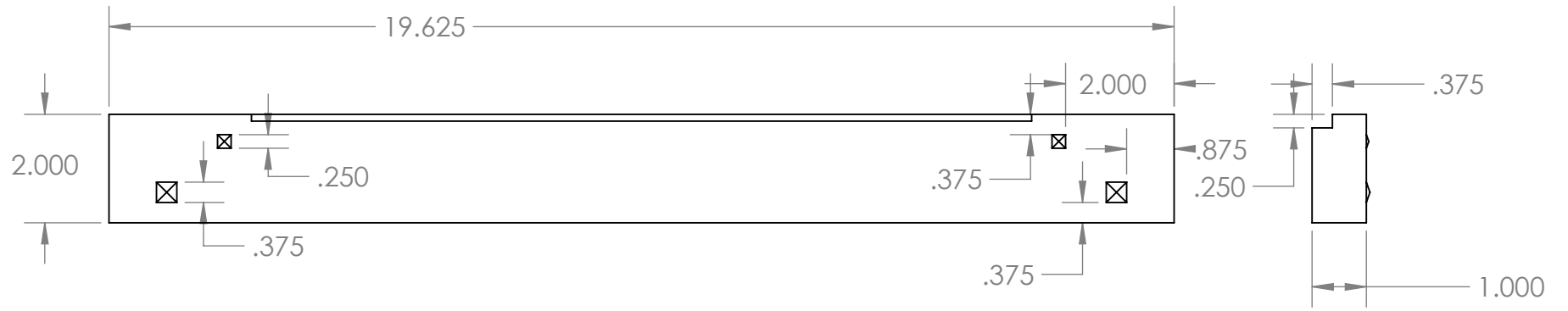
Top Door Rail (Bottom is mirror image of part)



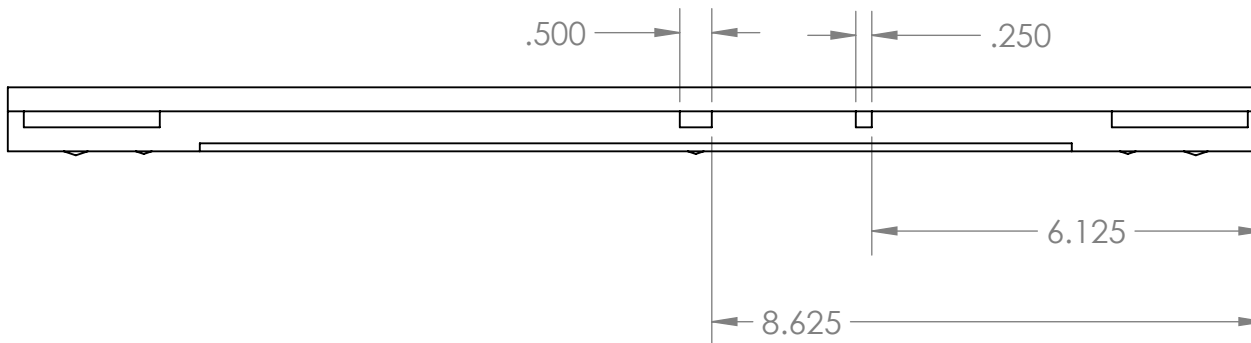
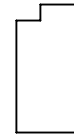
Full scale template for rail lift



# Door Left Stile

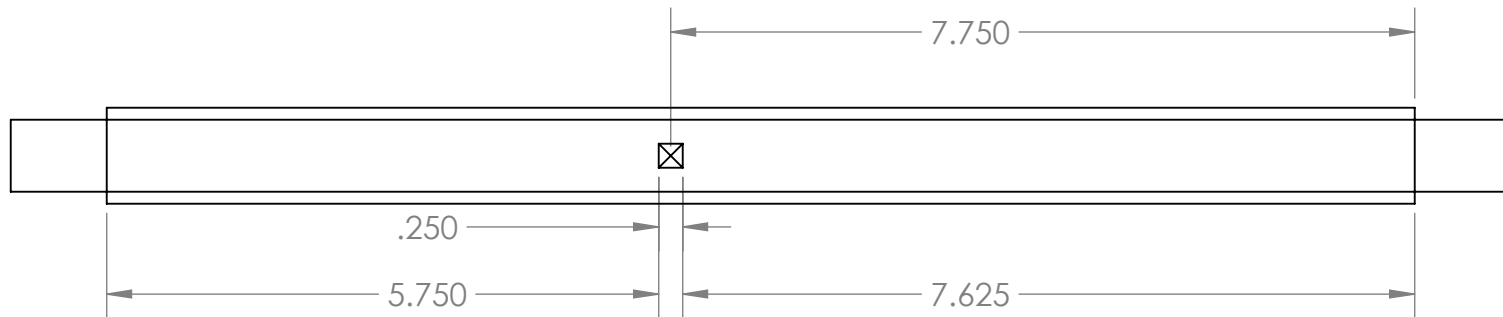
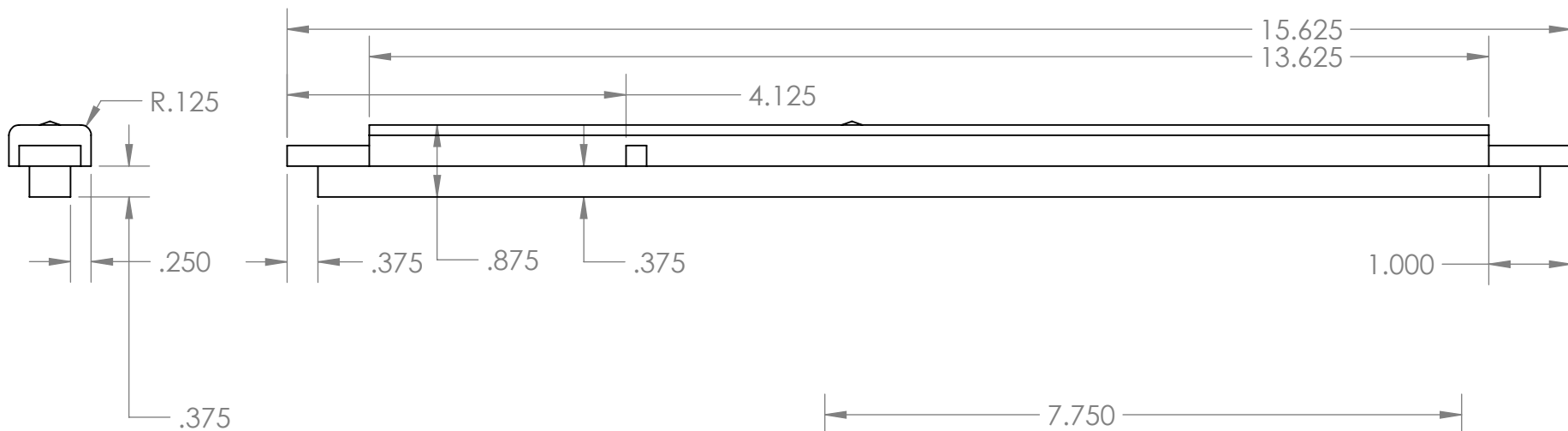
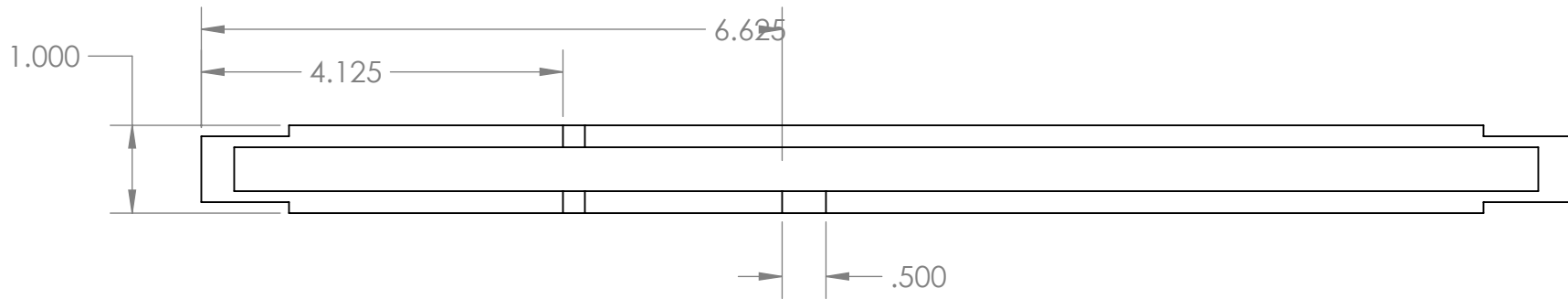


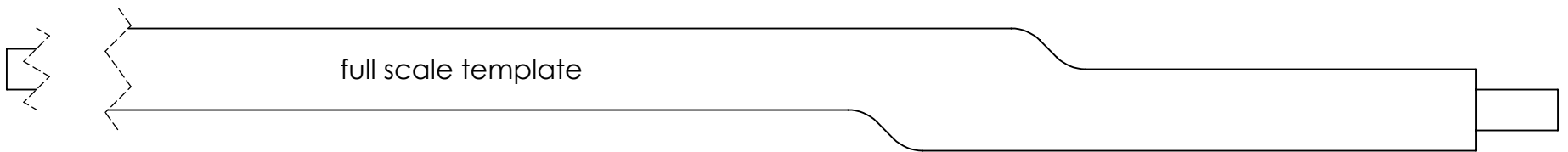
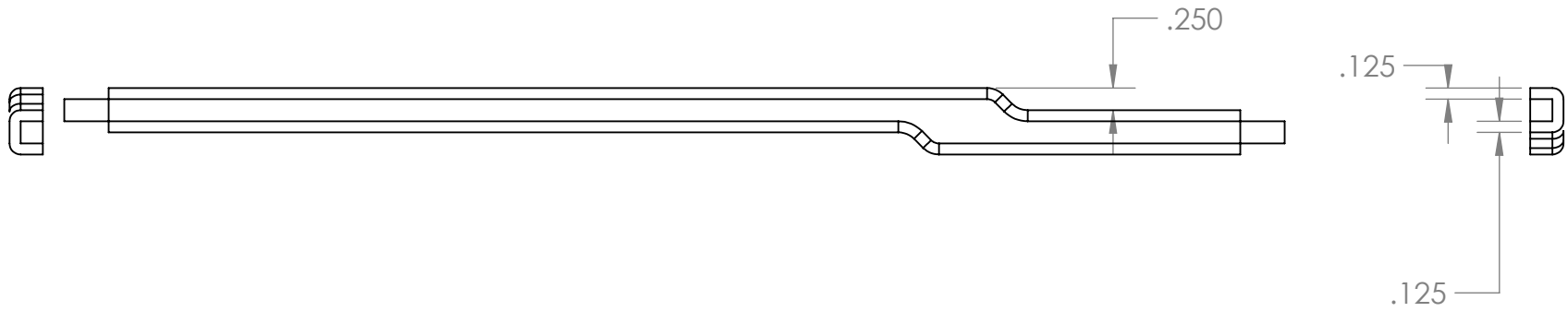
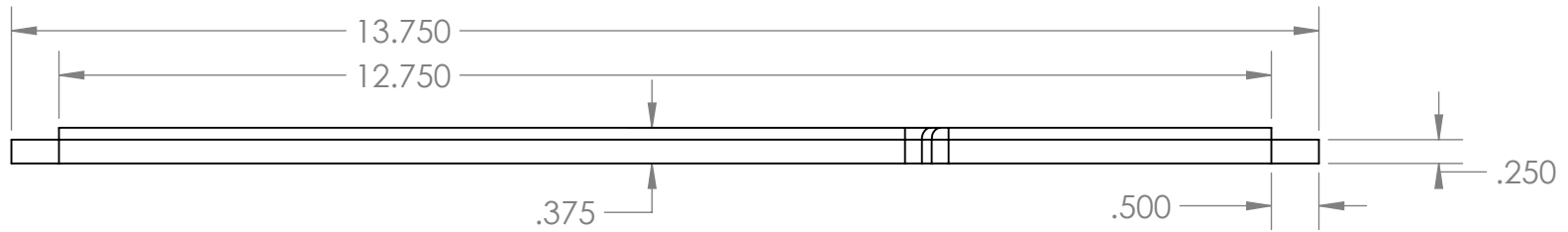
Door Right Stile (same as left stile except the location of the mortises)



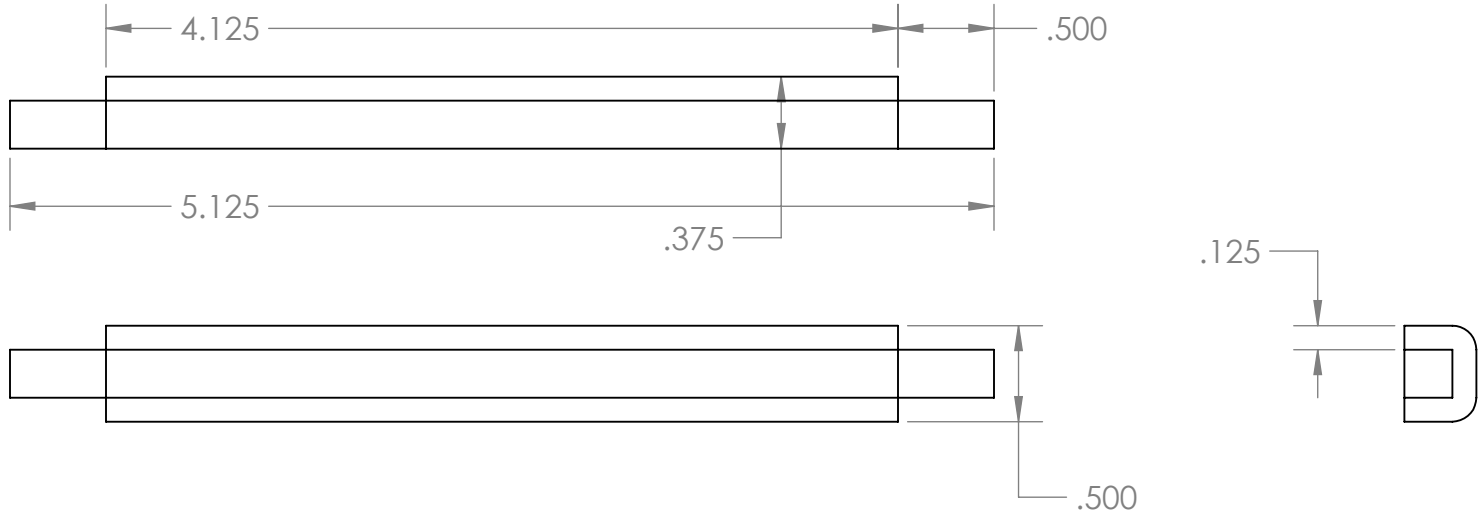


# Munton





Mullion right top



Mullion right bottom

