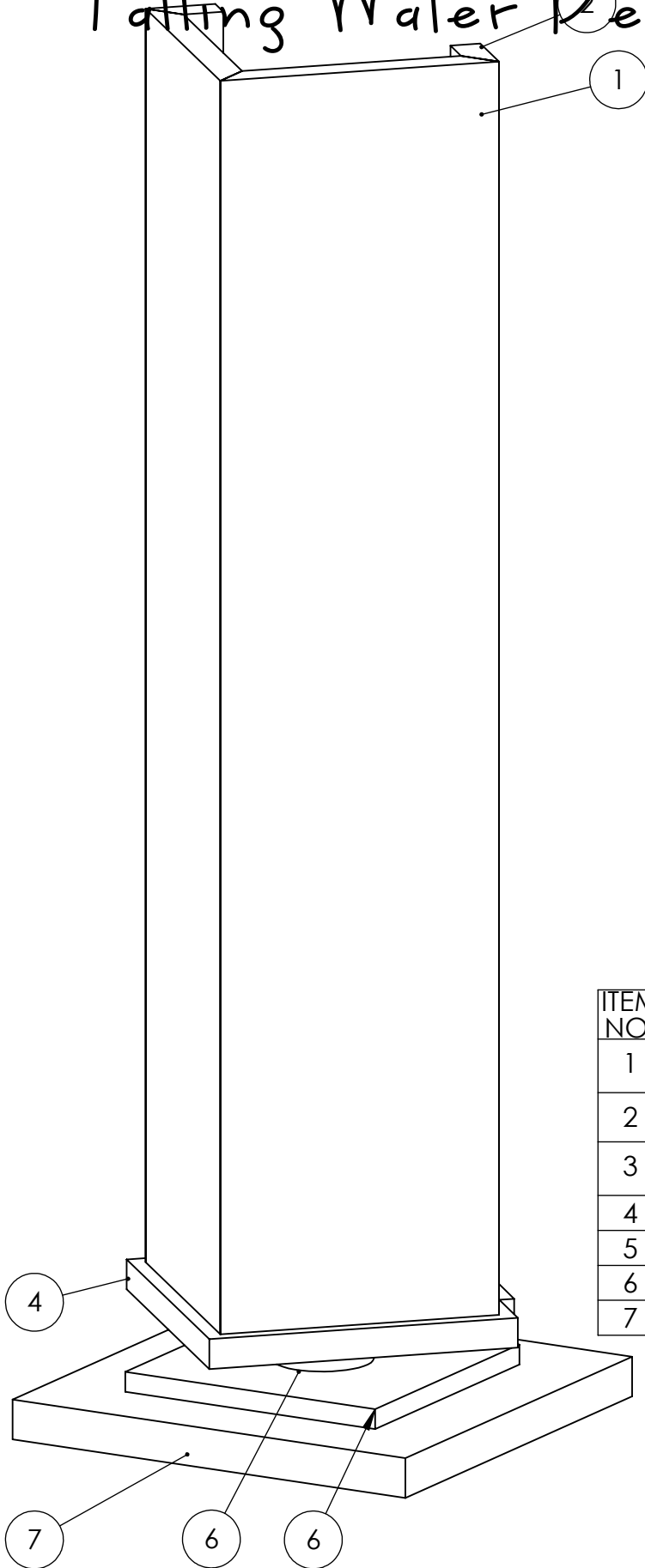
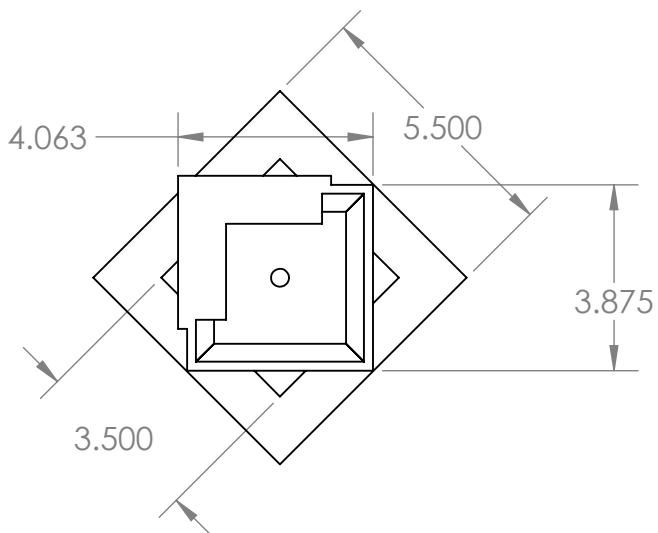
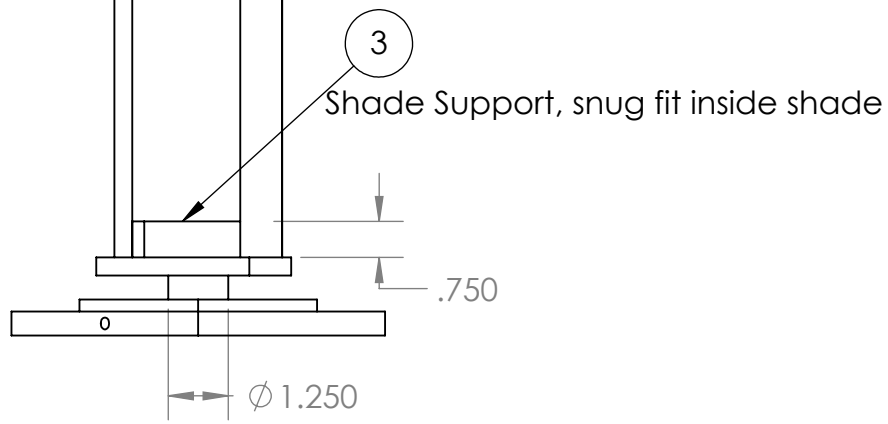
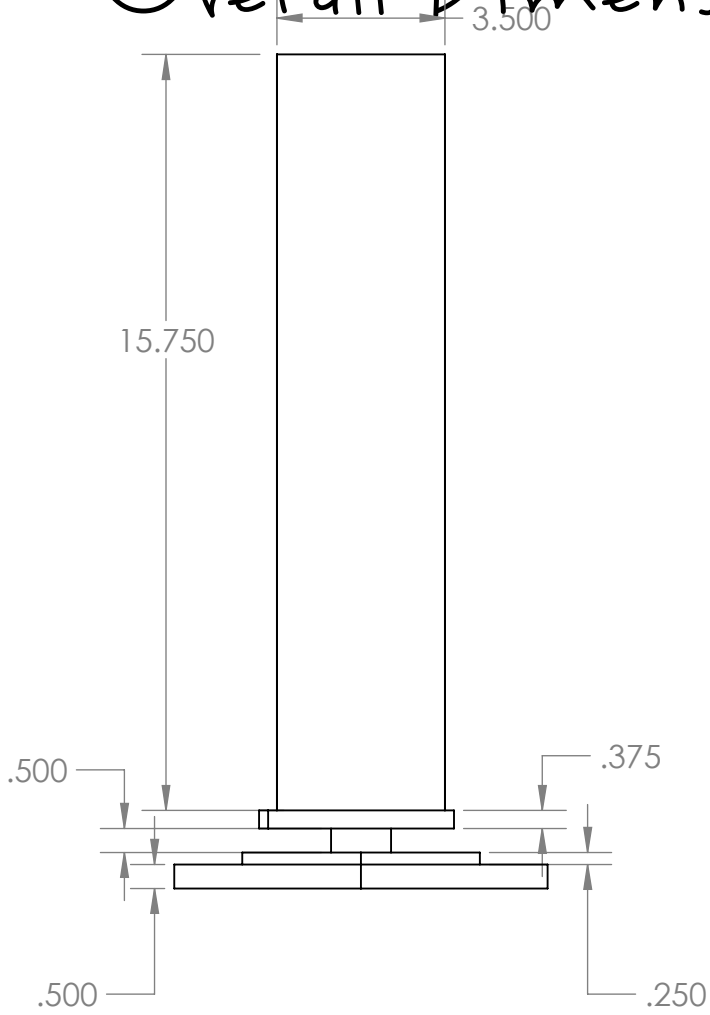


Falling Water Bedside Lamp

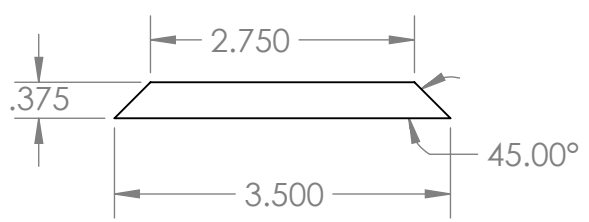
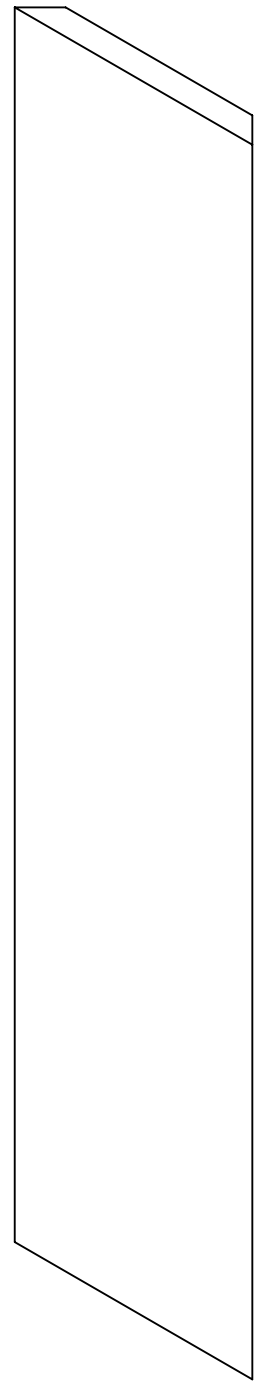
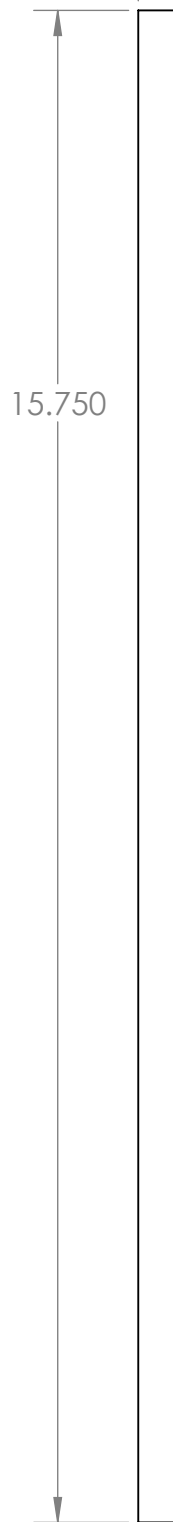
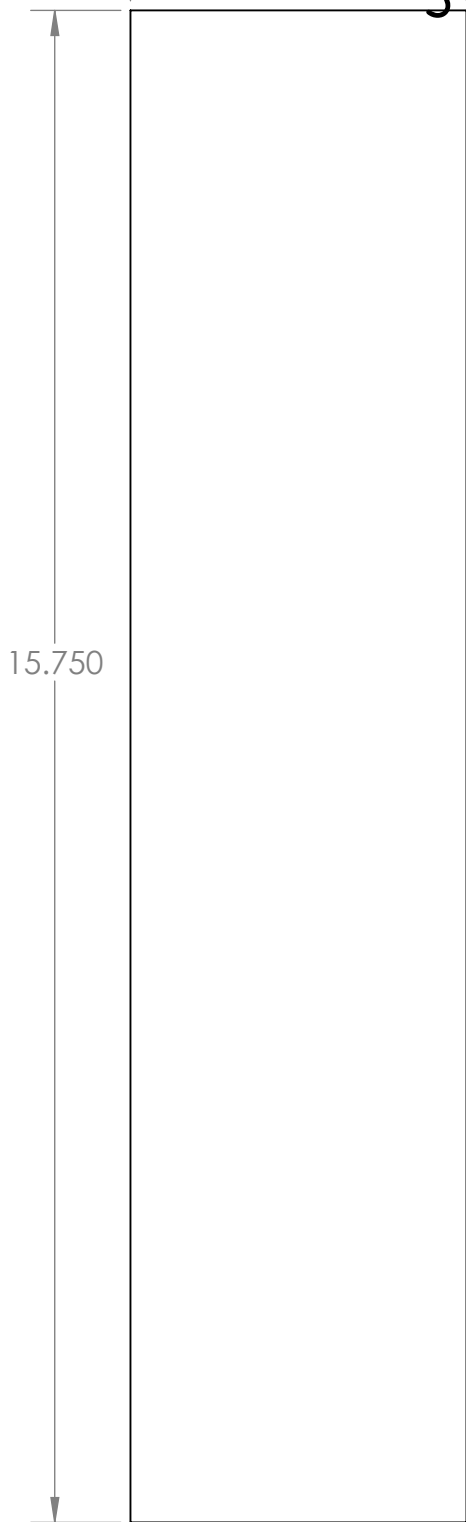


ITEM NO.	PART NUMBER	DESCRIPTION	QTY.
1	ShadeLargeSide	3.5" x 15.75" x .375" Walnut	2
2	ShadeSmallSide	.875" x 15.75" x .375" Walnut	2
3	ShadeSupport	2.75" x 2.75" x .75" MDF, fits inside of shade	1
4	Base1		1
5	Base2		1
6	Base3		1
7	Base4		1

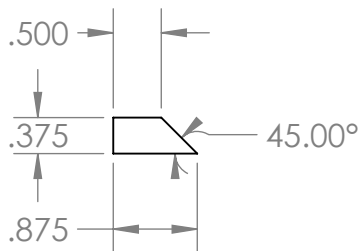
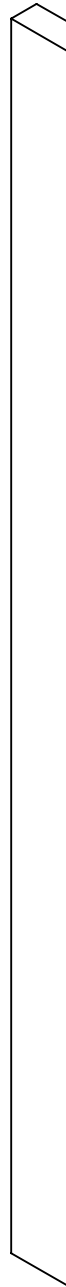
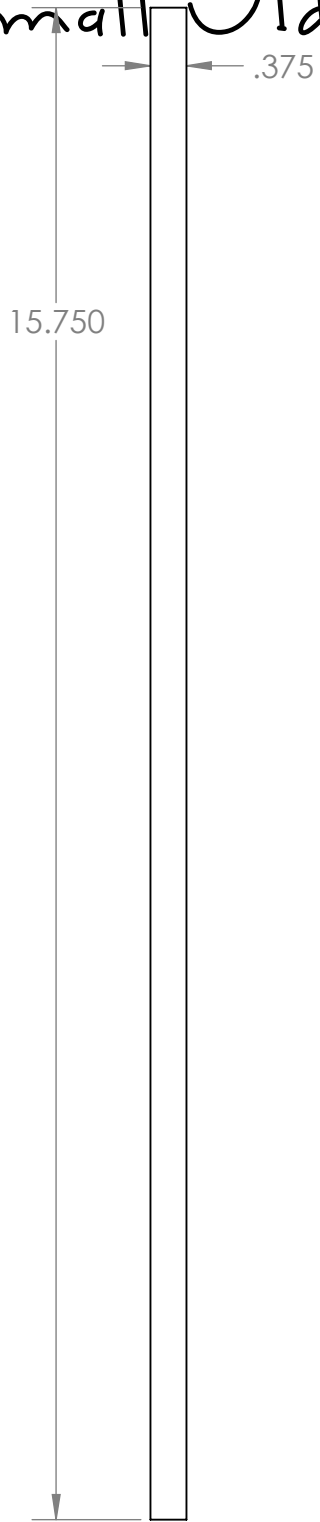
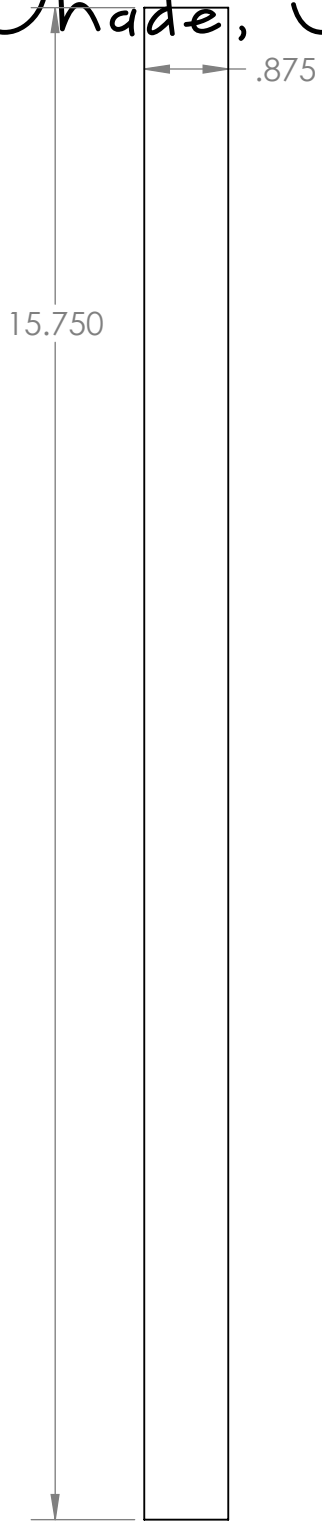
Overall Dimensions



Shade, Large Side (make 2)

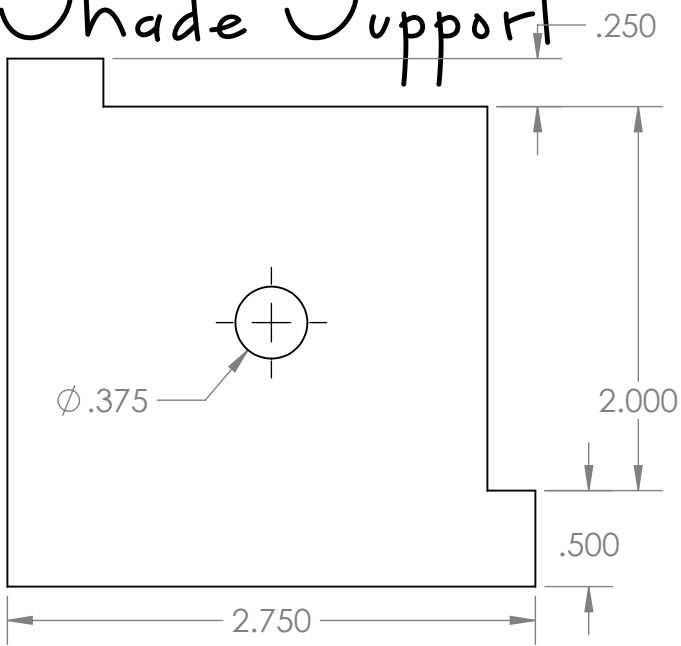


Shade, Small Slide (make 2)



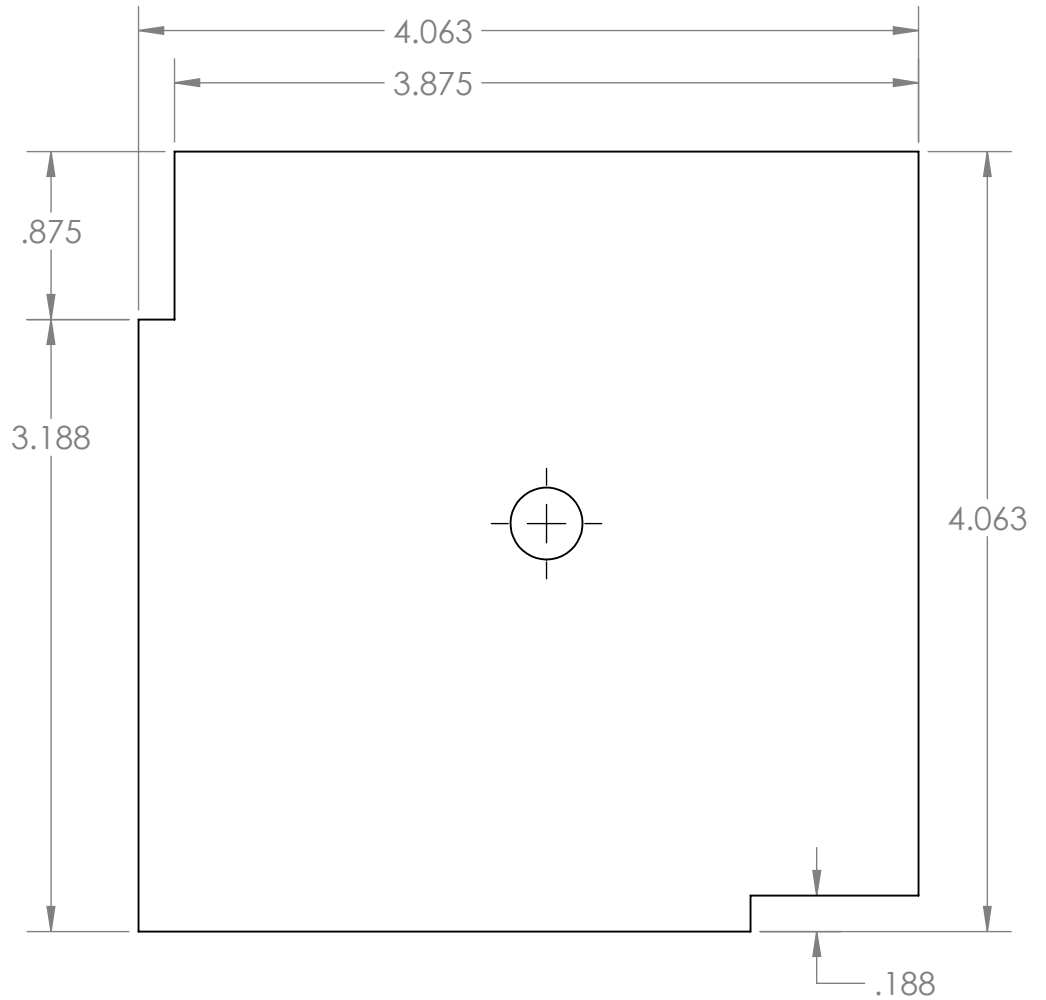
(This page full scale)

Shade Support



Base 1

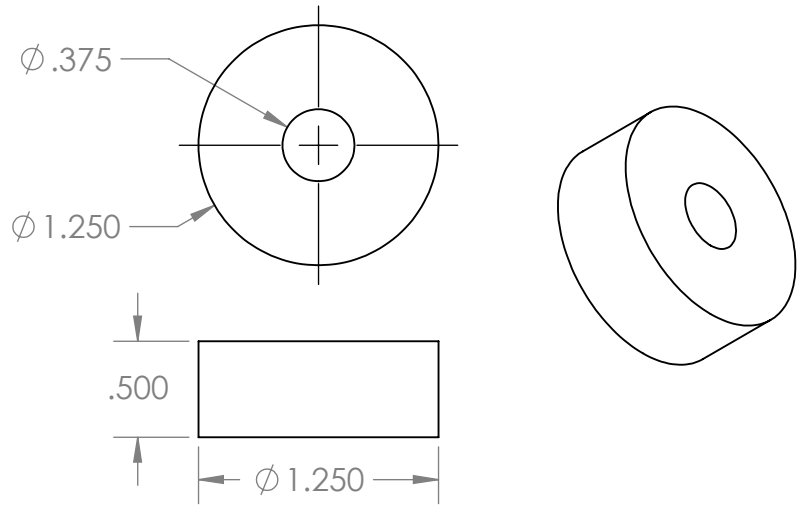
Base 1 3/8" thick MDF,



Base 2

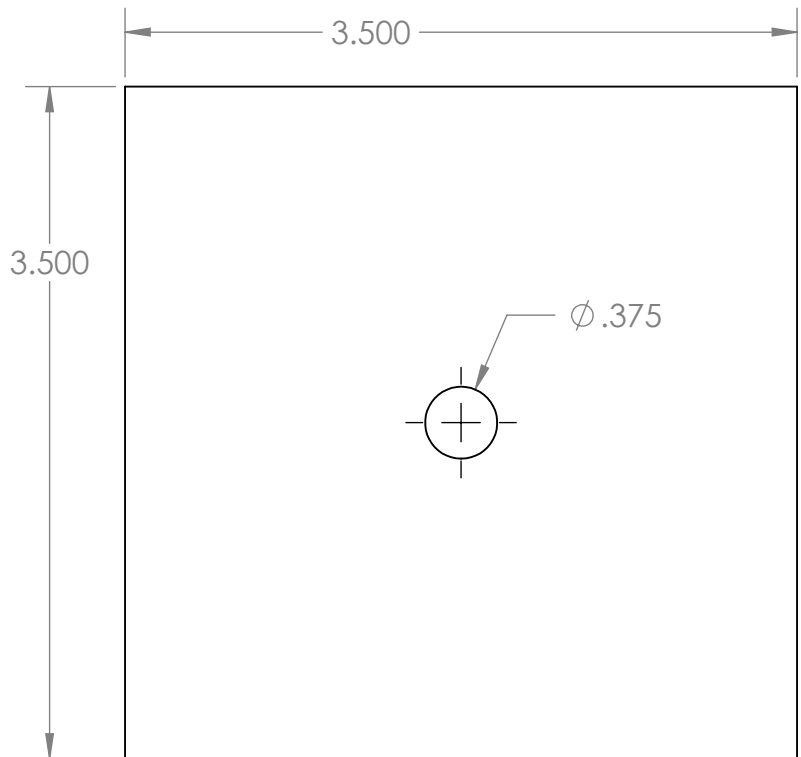
Base 2, 1/2" MDF, make disc using a 1.5" hole saw

(This page full scale)



Base 3

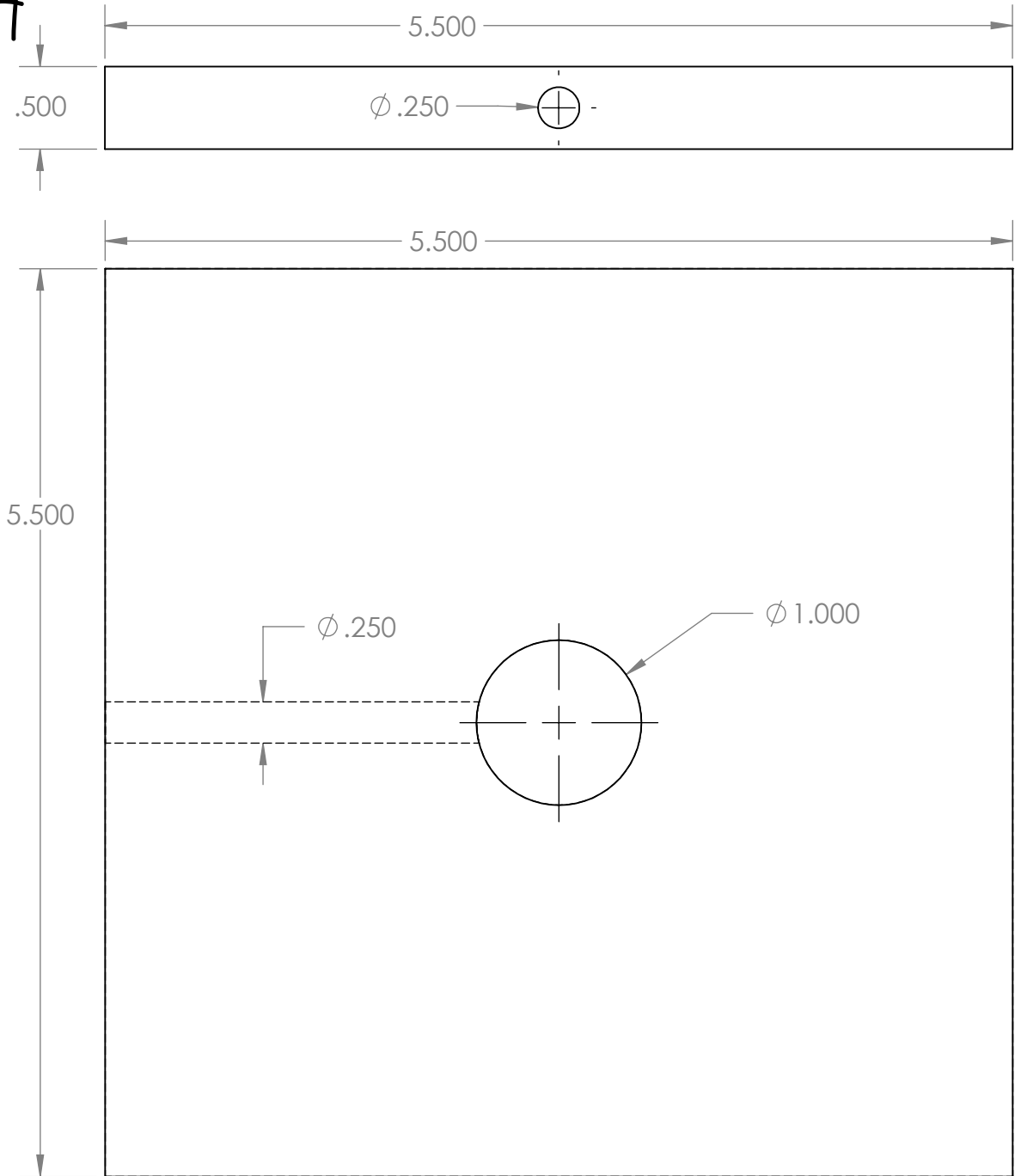
Base 3, 1/4" MDF



Base 4

Base 4, 1/2" MDF

(This page full scale)



Base Construction Notes: Original lamp base was brass. This model uses MDF painted black to emulate the aged patina of the original. Base parts are all glued together, then primed and painted.